

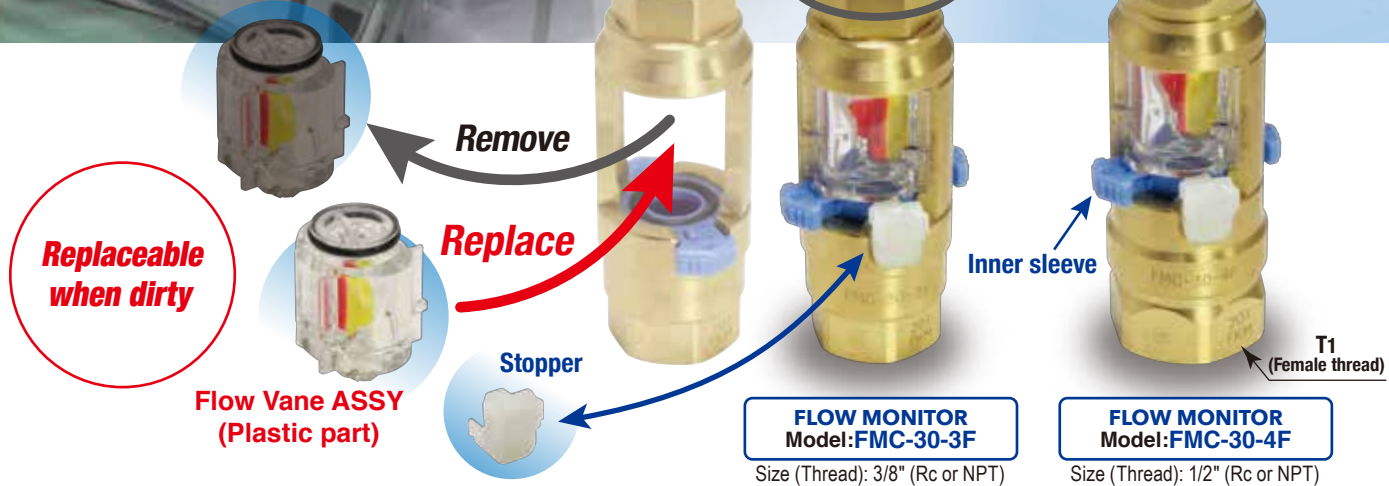
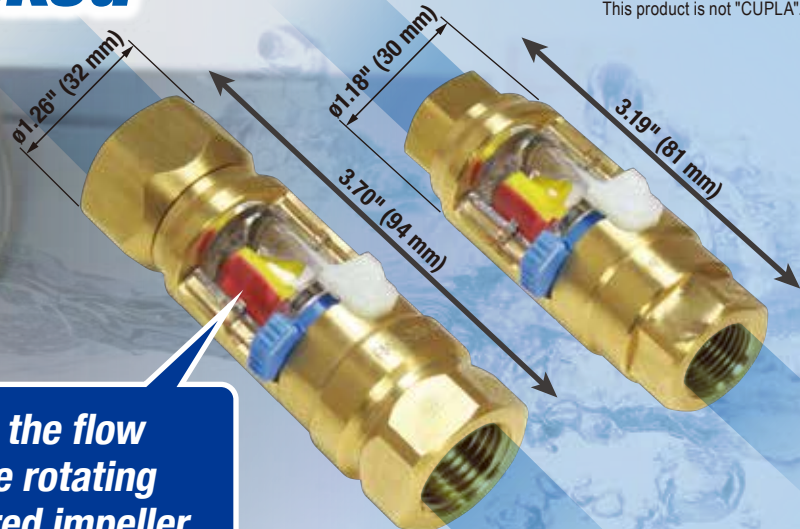
# New FLOW MONITOR Replaceable Flow Vane type

**The flow of cooling water can be checked at a glance.**

For low pressure      Applicable fluid \*      **Water**

\*This product cannot be used for gas. If oil is used, the durability may reduce depending on the compatibility of the oil or additive with the plastic part. Please use the FLOW MONITOR after thorough evaluation.  
This product is not "CUPLA".

**Check the flow with the rotating two-colored impeller**



**Replaceable when dirty**

## Visibility

Fluid flow from low flow rate (0.55 GPM) can be visually checked with the rotating two-colored impeller.

## Easy maintenance

Flow Vane ASSY can be replaced without removing it from the piping (both models).

## Safety

The stopper prevents unintended removal of the plastic parts.

## Easy installation

The installation and replacement is easy since the screw part of T2 side rotates freely to the left and right.

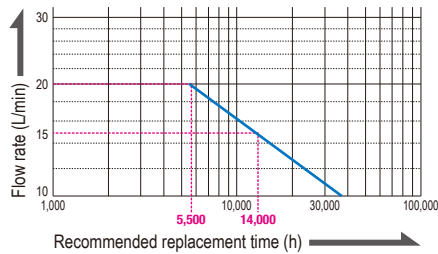
Recommended replacement time of Flow Vane ASSY



Flow Vane ASSY

If the Flow Vane ASSY is dirty or cloudy and the impeller is difficult to see, replace it regardless of the recommended replacement time.

The recommended replacement time for this product is calculated based on the amount of wear on the internal parts of the Flow Vane ASSY. Refer to the graph below for the recommended replacement time.  
\*The durability varies depending on the usage environment and conditions. (pressure, temperature, etc.)



### Specifications

Model	FMC-30-3F	FMC-30-3F-NPT	FMC-30-4F	FMC-30-4F-NPT
Size (Thread)	Rc 3/8"	NPT 3/8"	Rc 1/2"	NPT 1/2"
Body material	Brass			
Flow Vane ASSY material (Plastic part)	Outer cylinder		Polycarbonate	
	Impeller		Polypropylene	
	Inner sleeve, Stopper		Polyamide	
Working pressure <sup>-1</sup>	1.0 MPa, 10 kgf/cm <sup>2</sup> , 10 bar, 145 PSI			
Working flow range	0.55 to 5.25 GPM (2 to 20 L/min)			
Seal material (Mark)	Fluoro rubber (FKM)			
Working temperature range <sup>-2</sup>	+50 °F to +175 °F (+10°C to +80°C)			
Mass	0.37 lbs (167 g)		0.56 lbs (256 g)	

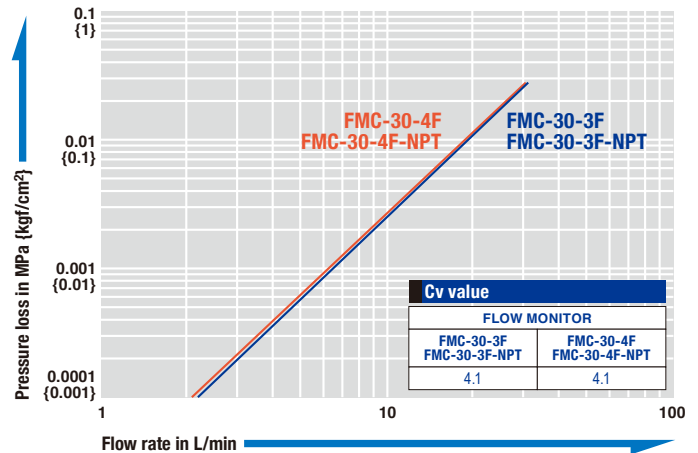
### Maximum Tightening Torque

Nm {lb-in}

Size (Thread)	3/8" (Rc or NPT)	1/2" (Rc or NPT)
Torque	12 {106}	30 {265}

### Flow Rate – Pressure Loss Characteristics

[Test conditions] - Fluid : Water - Temperature : 70 °F (23 °C)

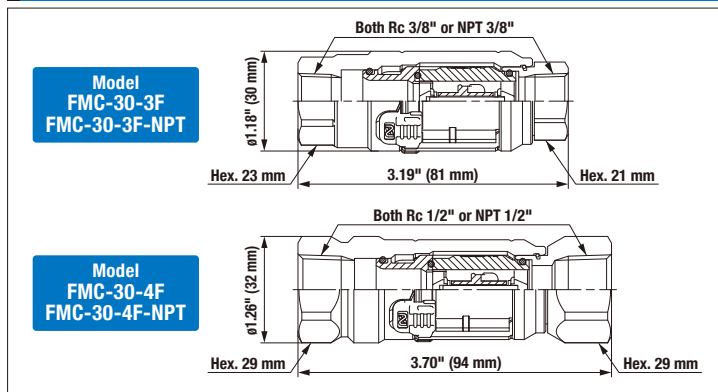


### Flow Direction

Fluid flow can be bi-directional.



### Models and Dimensions



For low pressure

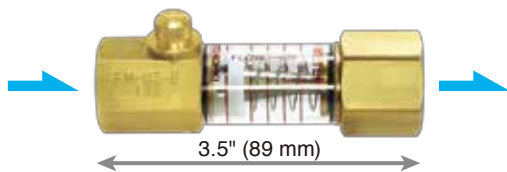
Applicable fluid

Water

For stable and accurate coolant flow rate.

# FLOW METER

CUPLA related product / Flow meter with special valve



Fluid must flow in the direction of the arrows.

\*Plastic part (graduated tube) cannot be replaced. This product is not "CUPLA".

### Specifications

Model	FM-03-B
Size (Thread)	Rc 3/8"
Body material	Brass
Graduated tube material	Polycarbonate
Working pressure <sup>-1</sup>	0.5 MPa, 5 kgf/cm <sup>2</sup> , 5 bar, 72.5 PSI
Working flow range	1.35 to 4.75 GPM (5 to 18 L/min)
Seal material (Mark)	Nitrile rubber (NBR)
Working temperature range <sup>-2</sup>	+50 °F to +140 °F (+10°C to +60°C)
Mass	0.42 lbs (190 g)

### Maximum Tightening Torque

Nm {lb-in}

Torque	11 {97}
--------	---------

### Safety Guide

Read without fail and observe the "Instruction sheet" that comes with the product and the following pages in the Quick Connect Couplings General Catalog; [Precautions Relating to the Use of All CUPLA].

\*1: The normal allowable fluid pressure under continuous use.  
Continuously exceeding the working pressure may cause leakage or damage.  
\*2: The operable temperature range depends on the operating conditions.

[ trademark (CUPLA) ] is registered in the United States.

## NITTO KOHKI U.S.A., INC.

46 Chancellor Drive, Roselle, IL 60172, U.S.A.  
Phone: (630) 924-9393 Toll Free: (800) 323-8828 Fax: (630) 924-0303  
quickconnects@nittokohki.com [www.nittokohki.com/](http://www.nittokohki.com/)



ISO9001  
JQA-2025  
ISO14001  
JQA-EM4057  
NITTO KOHKI CO., LTD.

DISTRIBUTED BY