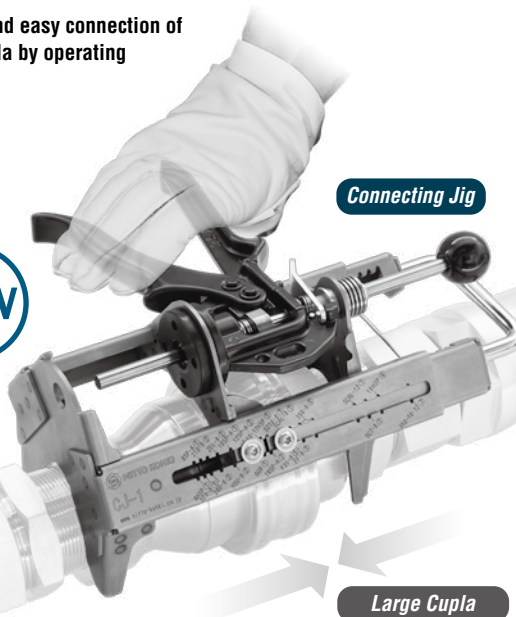


Cupla Connecting Jig

Connecting Jig for large Cupla

- Smooth and easy connection of large Cupla by operating a lever.

NEW



Connecting Jig

Large Cupla

The photo shows
SP Cupla Type A / 16SP-A (Rc2)

Specifications

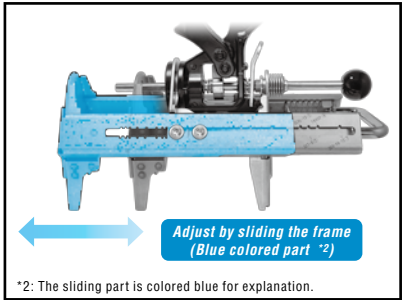
Model	CJ-1
Body material	Stainless steel (SUS430), Aluminum alloy
Applicable Cuplas	See list on the right
Connection under residue pressure	Not possible
Working temperature	Normal temperature
Storage Temperature Range	-20°C to +60°C
Mass	1.85 kg
Accessories	4 mm Hexagon wrench, Operation procedure tag, Cable tie

Prior to use, confirm the Cupla to be connected and adjust it according to the model and size.
(See instructions for the adjusting procedures provided with the product)

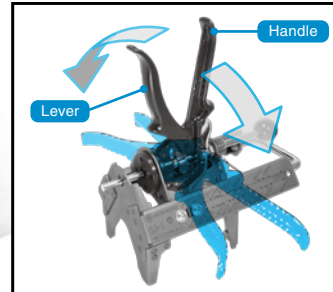
Versatile

Corresponds to all applicable models^{*1} by adjusting the body length.

^{*1}: Standard Cuplas appearing in the Cupla general catalog (two-way shut-off valve). Except Multi Cupla series. See below list of applicable models.

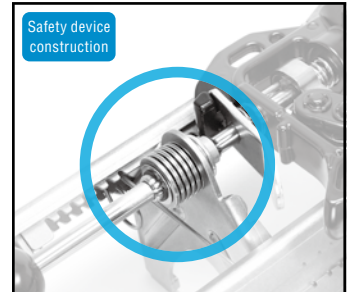


^{*2}: The sliding part is colored blue for explanation.



Functional

The Handle can be used at any angle to prevent interference with the Cupla.



Safe

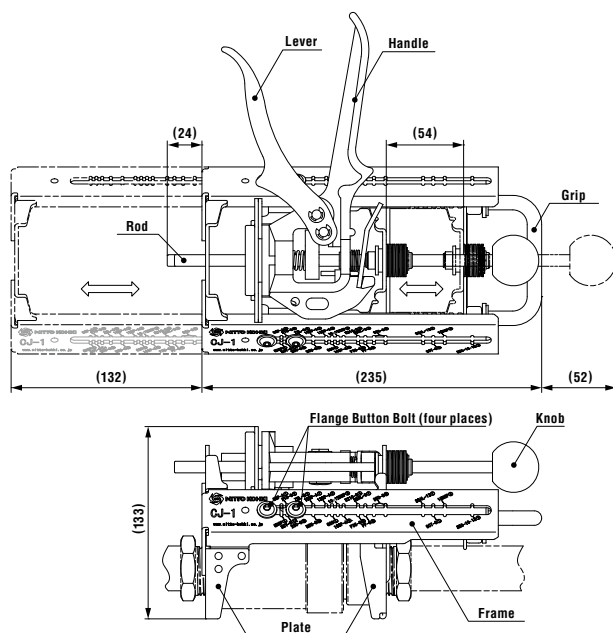
If excessive force occurs during connection, the safety device prevents damage to the body. When the safety device is activated, the connection of the Cupla is disabled.

List of Applicable Models

Applicable models	Size (Thread)			
	Rc 1	Rc 1 1/4	Rc 1 1/2	Rc 2
SP Cupla Type A	8SP-A	10SP-A	12SP-A	16SP-A
Zerospill Cupla	ZEL-8SP	-	-	-
HSP Cupla	8HSP	10HSP	12HSP	16HSP
210 Cupla	210-8SP	-	-	-
HSU Cupla	HSU-8SP	-	-	-
S210 Cupla	S210-8SP	-	-	-
280 Cupla	280-8SP	-	-	-
350 Cupla	350-8SP	350-10SP	350-12SP	-
Flat Face Cupla F35	F35-8SP	-	-	-
Flat Face Cupla FF	FF-8SP	-	-	-
Semicon Cupla SP Type	8SP-304	-	-	-
Semicon Cupla SCS Type	SCS-8SP	-	-	-
Semicon Cupla SCY Type	SCY-8SP	-	-	-
Semicon Cupla SCT Type	SCT-8SP	-	-	-
Semicon Cupla SCAL Type	SCAL-8SP	-	SCAL-12SP	-

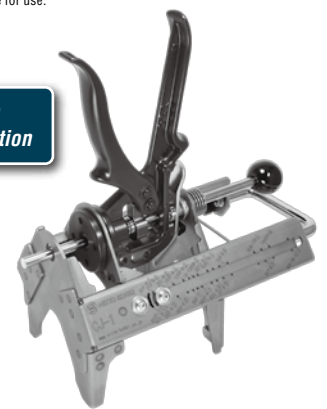
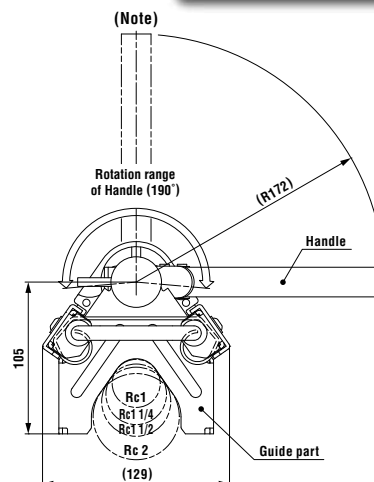
Models and Dimensions

Model: CJ-1



(Note) When the Handle is perpendicular to the body, it may interfere with the Cupla and will not be able to be used. In this case, tilt the handle to a convenient angle for use.

Connection of large Cupla with Lever operation



(mm)

* To prevent injuries, it is recommended to wear gloves during use.