

For Multi-Port Connection (Manual)

Multi Cupla MAM-A Type

Multiple port system

Working pressure



Valve structure

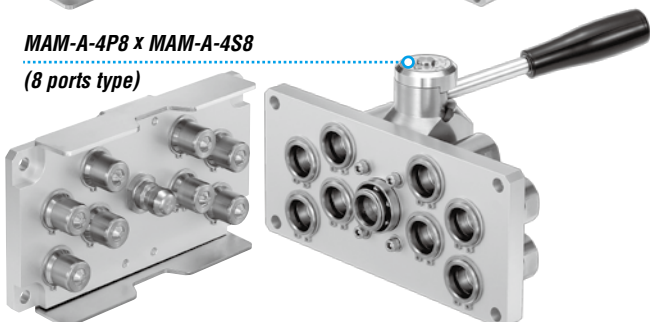
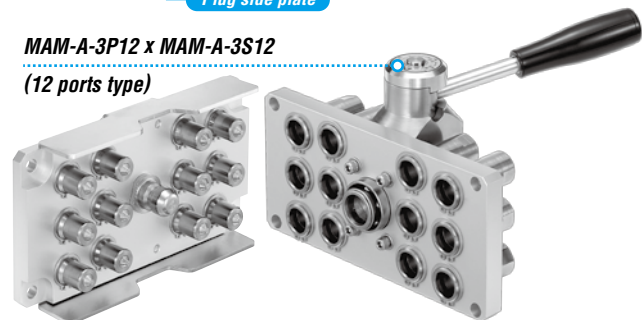
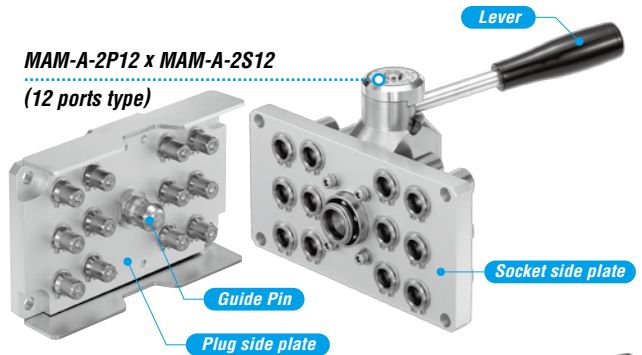


Applicable fluids



**Simultaneously connects several ports securely in one operation!
Greatly reduces changeover time in multiple ports replacement.**

- Handles several ports at once.
- Simple manual lever action completes easy connection / disconnection.
- Two-stage lever operation prevents Cupla from accidental dropping due to sudden detachment.
- Comes with lock mechanism to prevent accidental disconnection.
- Large flow equivalent to that of SP Cupla Type A.
- Two kinds of plates are available for each size.
- Automatic shut-off valves in both socket and plug prevent fluid spill out on disconnection.
- Self-aligned valve design provides safety sealing of individual socket or plug when disconnected.



Specifications

| Model | Plug | MAM-A-2P6 | MAM-A-2P12 | MAM-A-3P6 | MAM-A-3P12 | MAM-A-4P4 | MAM-A-4P8 |
|---------------------------|------------------|-------------------------------------|---------------------------|-------------------|------------|-----------------------|-----------|
| | Socket | MAM-A-2S6 | MAM-A-2S12 | MAM-A-3S6 | MAM-A-3S12 | MAM-A-4S4 | MAM-A-4S8 |
| Number of ports | | 6 | 12 | 6 | 12 | 4 | 8 |
| Size (Thread) | | 1/4" | | 3/8" | | 1/2" | |
| Body material | | Cupla: Brass (Nickel plated) | | | | Plate: Aluminum alloy | |
| | | Locking unit: Steel (Nickel plated) | | | | | |
| Pressure unit | | MPa | kgf/cm ² | bar | PSI | | |
| Working pressure | | 1.0 | 10 | 10 | 145 | | |
| Ambient temperature range | | 0°C to +60°C | | | | | |
| Seal material | Sealing material | Mark | Working temperature range | Remarks | | | |
| Working temperature range | Fluoro rubber | FKM (X-100) | -20°C to +180°C | Standard material | | | |

Max. Tightening Torque

Nm (kgf·cm)

| Size (Thread) | 1/4" | 3/8" | 1/2" |
|---------------|--------|----------|----------|
| Torque | 9 {92} | 12 {122} | 30 {306} |

Interchangeability

No connection is possible between plates with different number of ports.

Min. Cross-Sectional Area per Port

(mm²)

| Model | 2SP type | 3SP type | 4SP type |
|---------------------------|----------|----------|----------|
| Min. cross-sectional area | 26 | 51 | 73 |

Suitability for Vacuum

1.3 x 10⁻¹ Pa (1 x 10⁻³ mmHg)

| Socket only | Plug only | When connected |
|-------------|-----------|----------------|
| — | — | Operational |

Admixture of Air on Connection per Port

May vary depending upon the usage conditions.

(mL)

| Model | 2SP type | 3SP type | 4SP type |
|---------------|----------|----------|----------|
| Volume of air | 1.1 | 2.7 | 3.9 |

Volume of Spillage on Disconnection per Port

May vary depending upon the usage conditions.

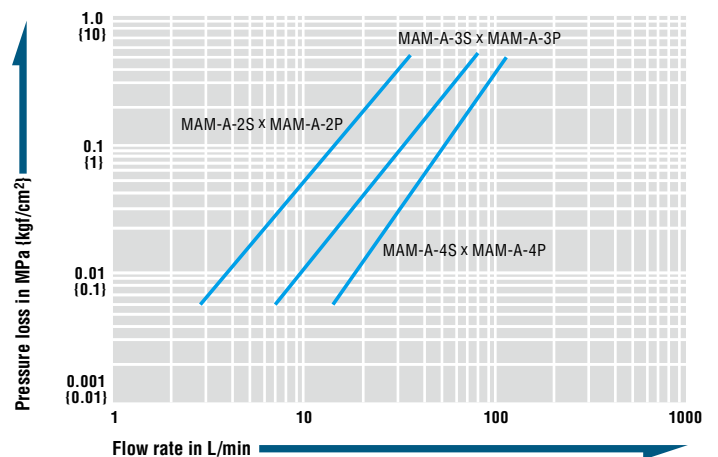
(mL)

| Model | 2SP type | 3SP type | 4SP type |
|--------------------|----------|----------|----------|
| Volume of spillage | 0.8 | 2.1 | 3.4 |

Flow Rate - Pressure Loss Characteristics

Per port of Cupla

[Test conditions] • Fluid : Water • Temperature : 25°C ± 5°C



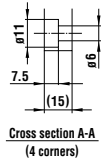
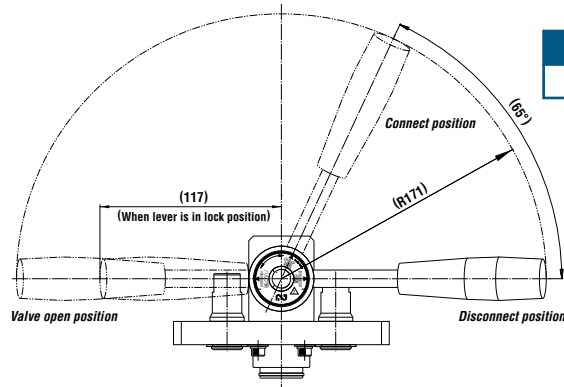
Models and Dimensions

Model MAM-A-2P6 × MAM-A-2S6 (6 ports type)

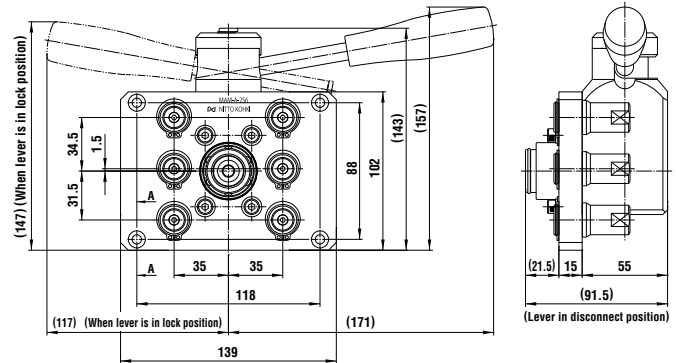
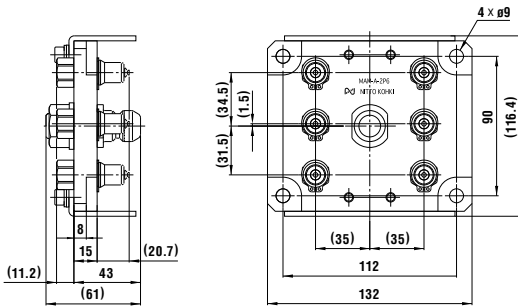
• Application: R 1/4 Mass: 1100 g (Plug), 2150 g (Socket)

Dimensions (mm)

Socket: Model
MAM-A-2S6



Plug: Model
MAM-A-2P6

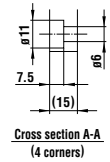
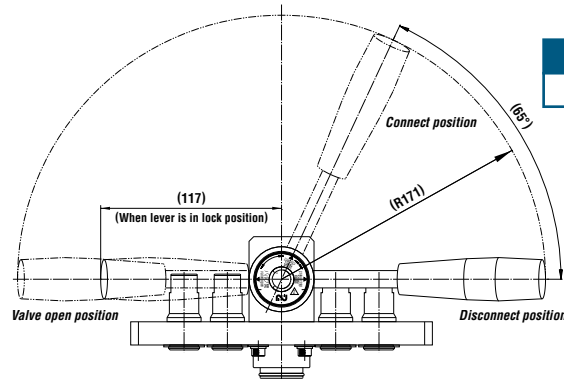


Model MAM-A-2P12 × MAM-A-2S12 (12 ports type)

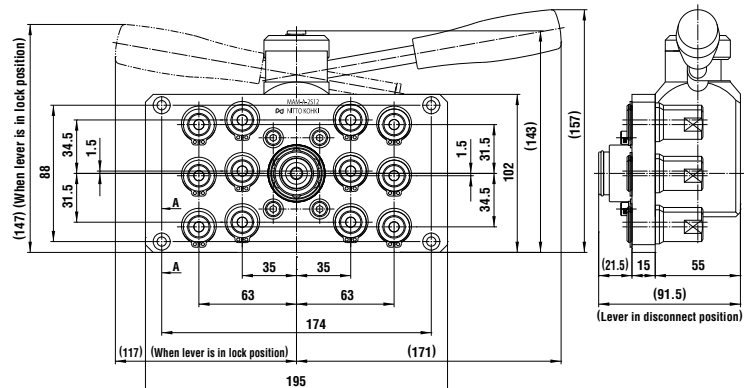
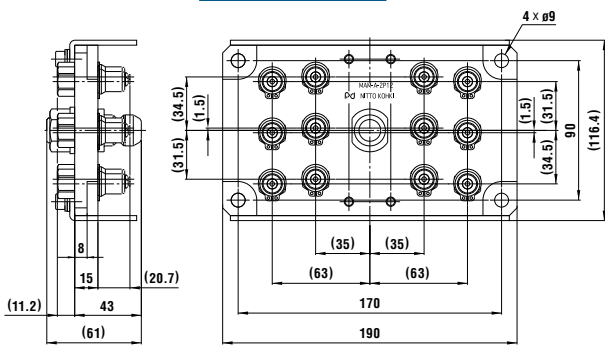
• Application: R 1/4 Mass: 1650 g (Plug), 2800 g (Socket)

Dimensions (mm)

Socket: Model
MAM-A-2S12

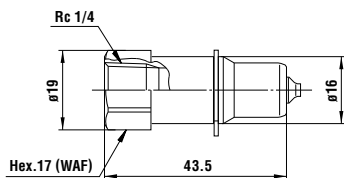


Plug: Model
MAM-A-2P12



Plug Model MAM-A-2P (Individual Cupla)

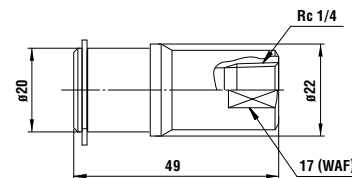
• Application: R 1/4 Mass: 40 g



Dimensions (mm)

Socket Model MAM-A-2S (Individual Cupla)

• Application: R 1/4 Mass: 82 g



Dimensions (mm)

Made-to-order Multi Cuplas are available on request, such as a combination of different sizes on the flange plate.

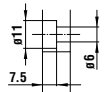
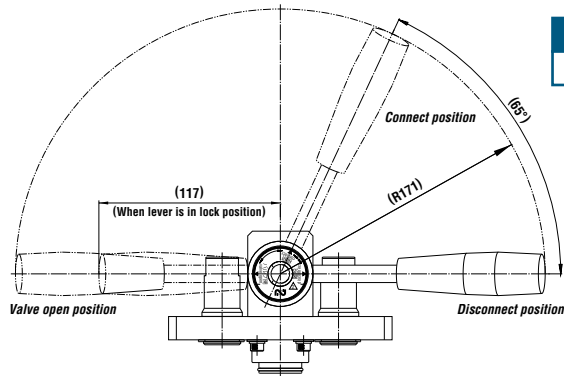
Before use, please be sure to read "Safety Guide" described at the end of this book and "Instruction Sheet" that comes with the products.

Model MAM-A-3P6 × MAM-A-3S6 (6 ports type)

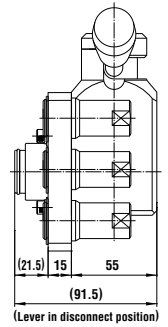
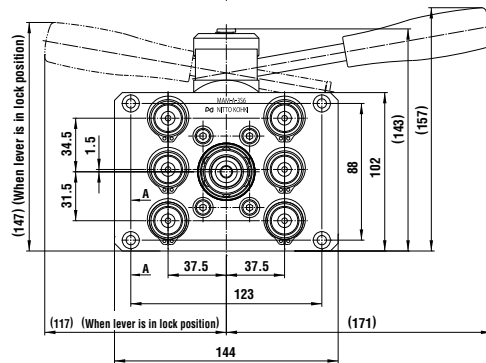
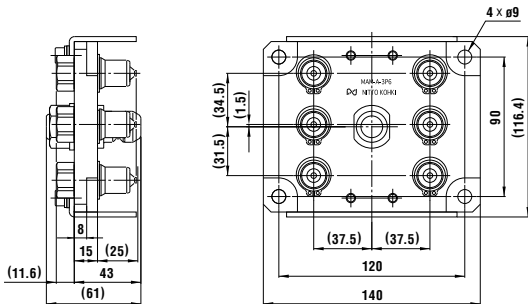
• Application: R 3/8 Mass: 1250 g (Plug), 2400 g (Socket)

Dimensions (mm)

Socket: Model MAM-A-3S6



Plug: Model MAM-A-3P6

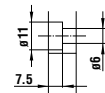
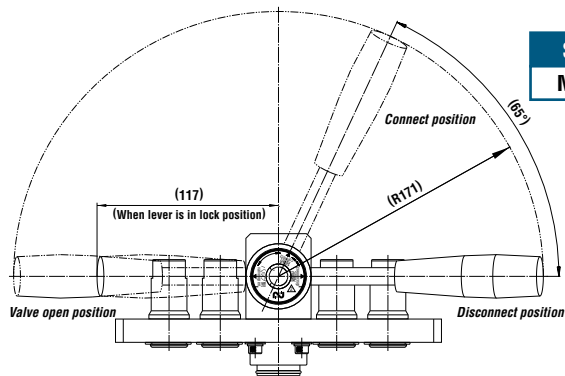


Model MAM-A-3P12 × MAM-A-3S12 (12 ports type)

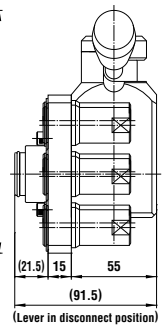
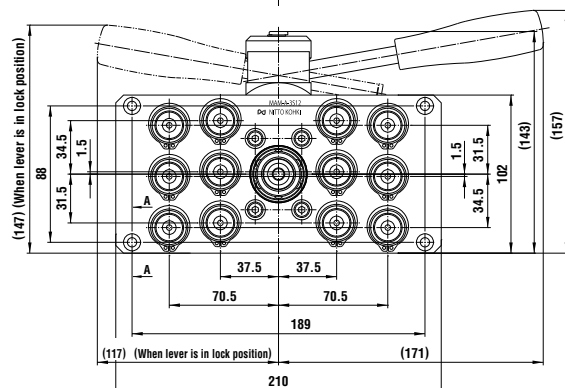
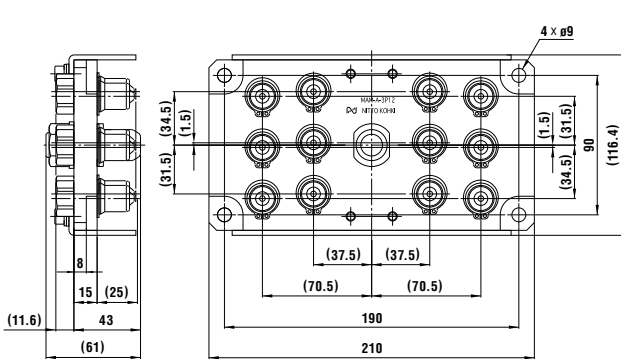
• Application: R 3/8 Mass: 1950 g (Plug), 3300 g (Socket)

Dimensions (mm)

Socket: Model MAM-A-3S12

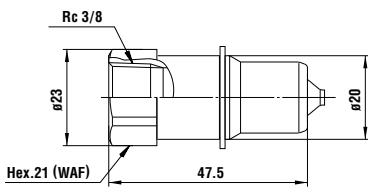


Plug: Model MAM-A-3P12



Plug Model MAM-A-3P (Individual Cupla)

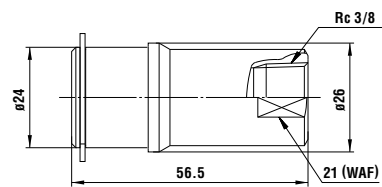
• Application: R 3/8 Mass: 62 g



Dimensions (mm)

Socket Model MAM-A-3S (Individual Cupla)

• Application: R 3/8 Mass: 122 g



Dimensions (mm)

Made-to-order Multi Cuplas are available on request, such as a combination of different sizes on the flange plate.

Before use, please be sure to read "Safety Guide" described at the end of this book and "Instruction Sheet" that comes with the products.

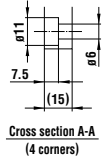
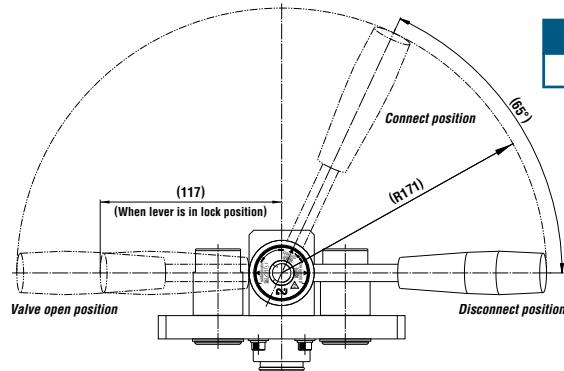
Models and Dimensions

Model MAM-A-4P4 × MAM-A-4S4 (4 ports type)

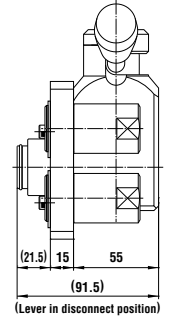
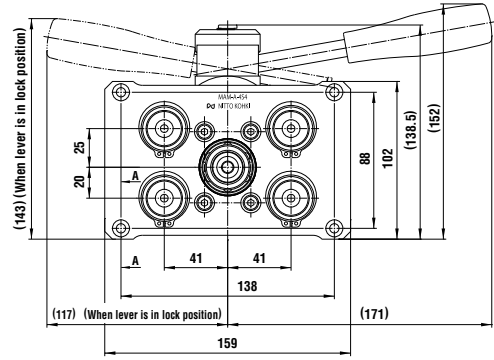
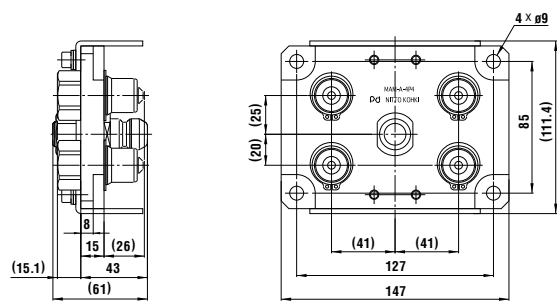
• Application: R 1/2 Mass: 1400 g (Plug), 2700 g (Socket)

Dimensions (mm)

Socket: Model
MAM-A-4S4



Plug: Model
MAM-A-4P4

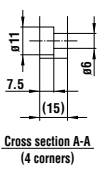
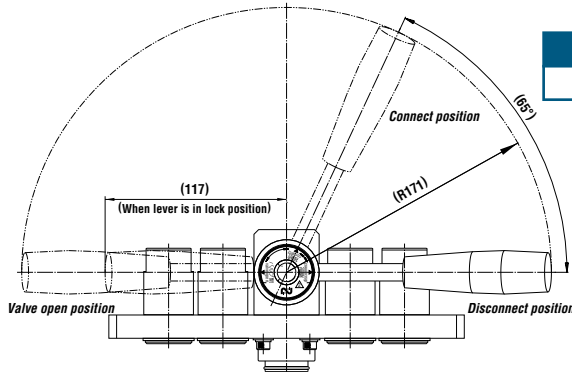


Model MAM-A-4P8 × MAM-A-4S8 (8 ports type)

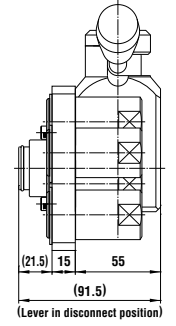
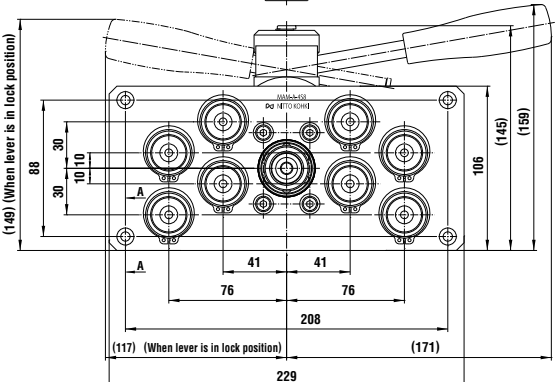
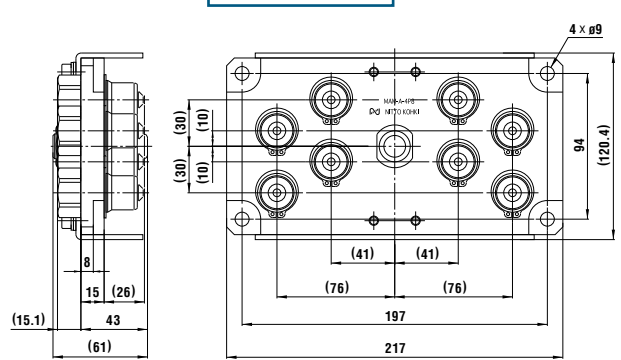
• Application: R 1/2 Mass: 2300 g (Plug), 4000 g (Socket)

Dimensions (mm)

Socket: Model
MAM-A-4S8

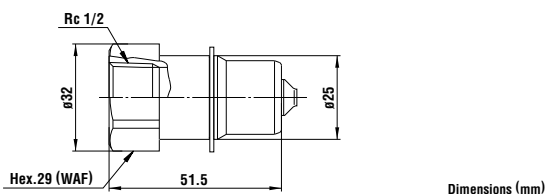


Plug: Model
MAM-A-4P8



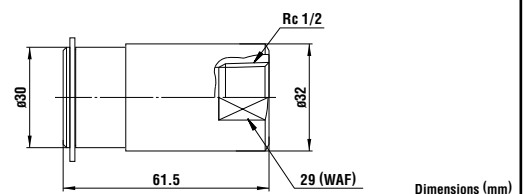
Plug Model MAM-A-4P (Individual Cupla)

• Application: R 1/2 Mass: 127 g



Socket Model MAM-A-4S (Individual Cupla)

• Application: R 1/2 Mass: 256 g



Made-to-order Multi Cuplas are available on request, such as a combination of different sizes on the flange plate.

Before use, please be sure to read "Safety Guide" described at the end of this book and "Instruction Sheet" that comes with the products.