

For Low Pressure (Air)

# Purge Hi Cupla

## PVR Type

Air line coupling with built-in residual air pressure release function

Working pressure



Valve structure

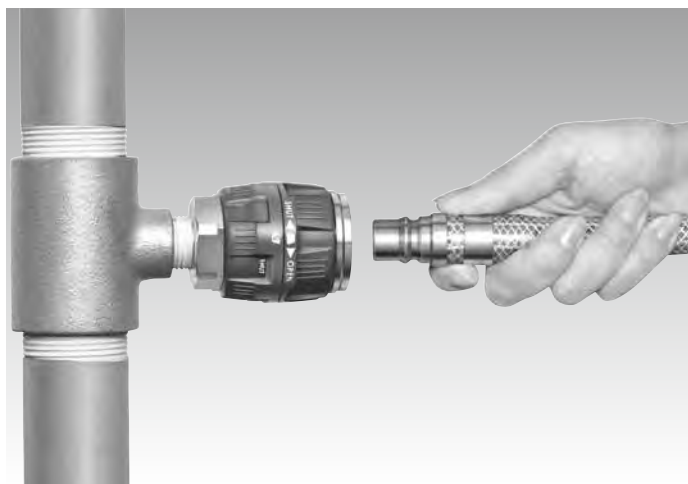


Applicable fluid



Connection can be made smoothly regardless of the existing pressure inside the socket.

- Push-to-connect operation. Easy one-hand operation.
- Built-in sleeve lock mechanism prevents accidental disconnection of Cuplas, ensuring safe operation.
- Upon completion of sleeve locking the valve will open to supply air.
- When the sleeve is turned back to its original position, the valve is closed and purges residual air pressure in the plug without unpleasant popping noise and hose whip motion on disconnection.
- Even after connection, valve opening/closing control is possible.
- Flow rate increases by approximately 20% over that of Hi Cupla Model 400SM.
- Can be connected with plugs for Hi Cupla Models 400, 600 and 800.



Specifications				
Body material	Zinc alloy (part Brass and others)			
Size	Thread	1/2", 3/4", 1"		
	Hose barb	1/2", 3/4", 1" hose		
Pressure unit	MPa	kgf/cm <sup>2</sup>	bar	PSI
Working pressure	1.5	15	15	218
Seal material	Seal material	Mark	Working temperature range	Remarks
Working temperature range	Nitrile rubber Hydrogenated nitrile rubber	NBR (SG)	-20°C to +60°C	Standard material

Max. Tightening Torque			Nm (kgf·cm)
Size (Thread)	1/2"	3/4"	1"
Torque	30 (306)	50 (510)	65 (663)

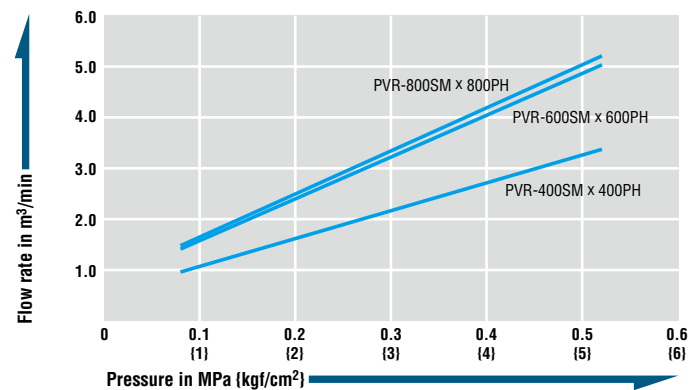


**Interchangeability**  
Can be connected with plugs for Hi Cupla Models 400, 600 and 800.

Min. Cross-Sectional Area									(mm <sup>2</sup> )
Model	400PH	600PH	800PH	400PM	600PM	800PM	400PF	600PF	800PF
PVR-400SH	64	71	71	71	71	71	71	71	71
PVR-600SH	64	116	116	116	116	116	116	116	116
PVR-800SH	64	116	116	116	116	116	116	116	116
PVR-400SM	64	116	116	116	116	116	116	116	116
PVR-600SM	64	116	116	116	116	116	116	116	116
PVR-800SM	64	116	116	116	116	116	116	116	116
PVR-400SF	64	116	116	116	116	116	116	116	116
PVR-600SF	64	116	116	116	116	116	116	116	116
PVR-800SF	64	116	116	116	116	116	116	116	116

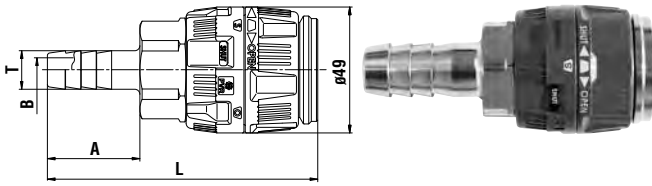
**Suitability for Vacuum**  
Not suitable for vacuum application in either connected or disconnected condition.

**Pressure - Flow Rated Characteristics**  
[Test conditions] • Fluid : Air • Temperature : Room temperature



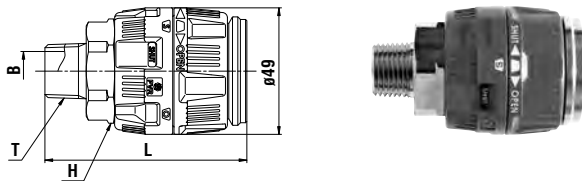
**Models and Dimensions** WAF : WAF stands for width across flats.

**Socket SH type (Hose barb)**



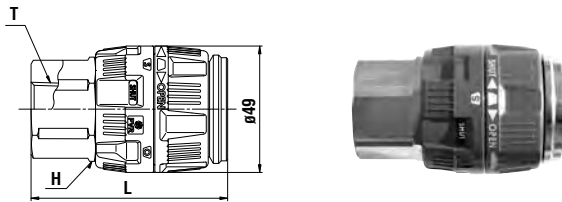
Model	Application (Hose)	Mass (g)	Dimensions (mm)			
			L	A	øT	øB
PVR-400SH	1/2"	380	(105)	36	15	9.5
PVR-600SH	3/4"	361	(109)	45	21	14
PVR-800SH	1"	440	(118)	55	27	16

**Socket SM type (Male thread)**



Model	Application	Mass (g)	Dimensions (mm)			
			L	H(WAF)	T	øB
PVR-400SM	Rc 1/2	327	(78)	Hex.35	R 1/2	14
PVR-600SM	Rc 3/4	345	(82)	Hex.35	R 3/4	18
PVR-800SM	Rc 1	374	(84)	Hex.35	R 1	24

**Socket SF type (Female thread)**

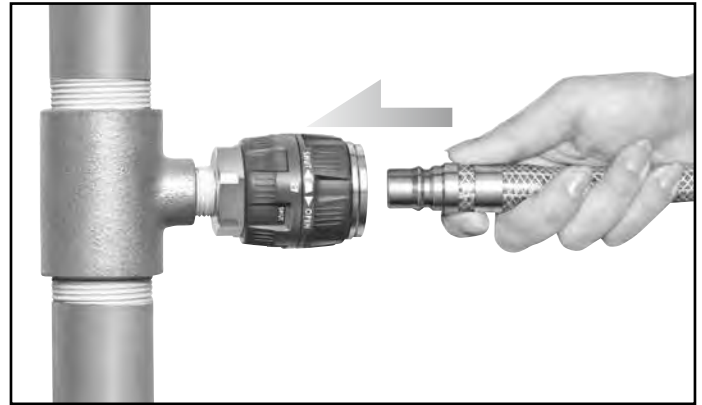


Model	Application	Mass (g)	Dimensions (mm)		
			L	H(WAF)	T
PVR-400SF	R 1/2	394	(76)	Hex.35	Rc 1/2
PVR-600SF	R 3/4	370	(77)	Hex.35	Rc 3/4
PVR-800SF	R 1	440	(82)	Hex.41	Rc 1

**Function of Purge Hi Cupla PVR Type**

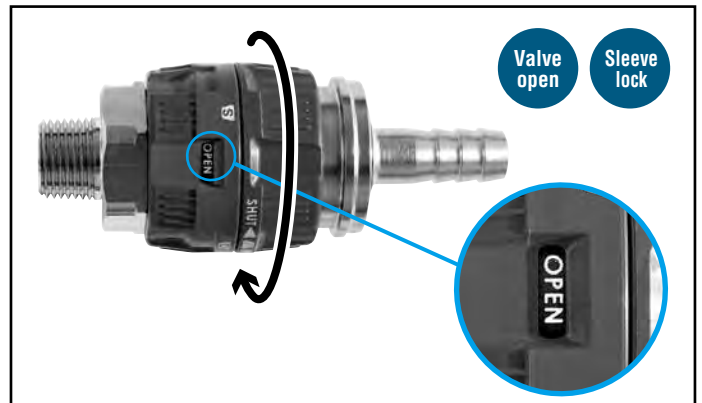
**1. Connection**

Valve opening/closing operation and plug connection to socket can be made independently. Push-to-connect operation is achieved regardless of existing pressure inside the pipe.



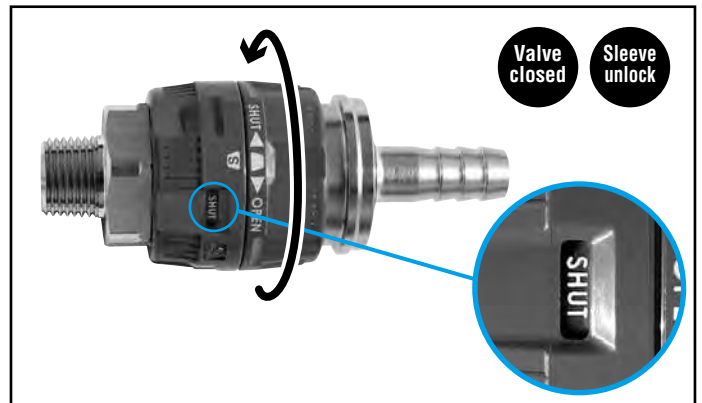
**2. Open the valve and lock the sleeve.**

Turning the operation ring will open the valve in the socket to supply air and lock the sleeve to prevent accidental disconnection.



**3. Close the valve and unlock the sleeve**

Turning the operation ring back to its original position will close the valve and stop air flow, release the residual air pressure in the plug, and unlock the sleeve.



**4. Disconnection**

Disconnection can be made without unpleasant popping noise and hose whip motion due to no residual air pressure inside the plug.

