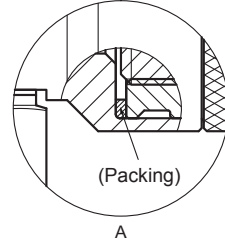
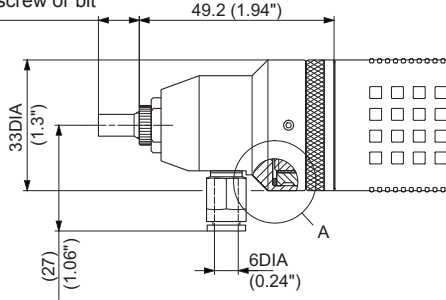


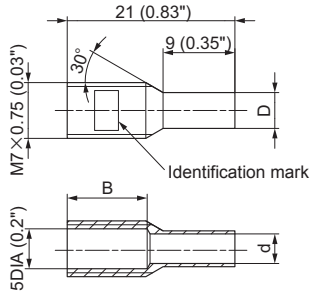
## Vacuum Pickup for hand-held DLP6600

This is an attachment for adsorption of screws during hand-held work.  
 Adsorption coupling DLW9014, sleeve DLS2124, DLS2127, and DLS2134 are attached.  
 (At shipment, adsorption coupling and sleeve DLS2127 are mounted.)  
 For details, read the instruction manual for the electric screwdriver.

Adjust in accordance  
with the screw or bit



### Sleeve



Unit: mm (in)

Sleeve	Identification mark	d	D	B
DLS2124	Pink	3.1 (0.12)	4.5 (0.18)	10 (0.39)
DLS2127	Black	3.7 (0.15)		
DLS2134	Blue	5.6 (0.22)	6.5 (0.26)	13 (0.51)