

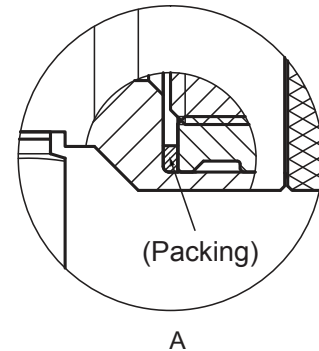
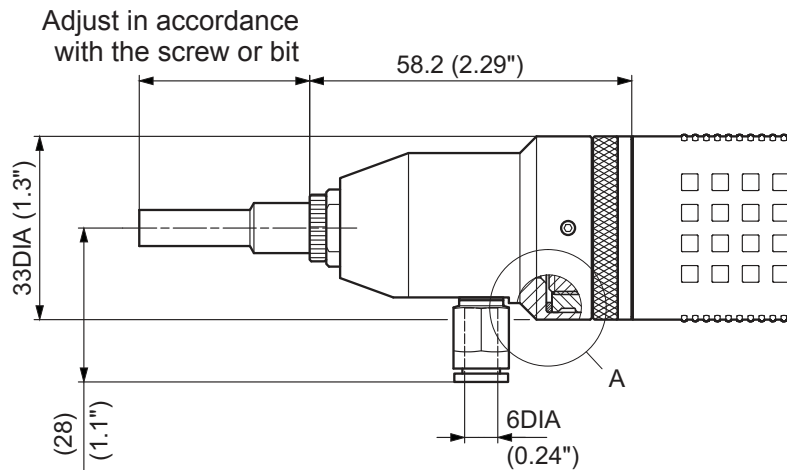
Vacuum Pickup for hand-held DLP6640

This is an attachment for adsorption of screws (for 6.35 mm (0.25") hexagon bit) during hand-held work.

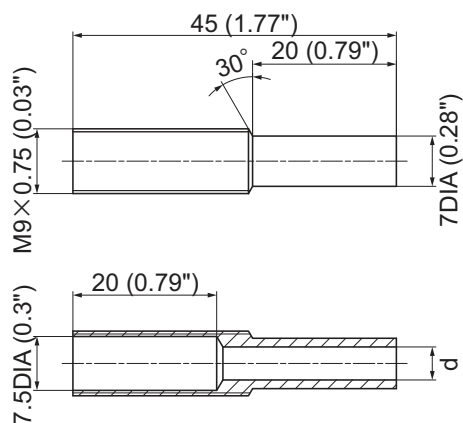
Adsorption coupling DLW9014, sleeve DLS4225 and DLS4227 are attached.

(At shipment, adsorption coupling and sleeve DLS4225 are mounted.)

For details, read the instruction manual for the electric screwdriver.



Sleeve



Unit: mm (in)

Sleeve	d
DLS4225	4.6 (0.18)
DLS4227	5.6 (0.22)