

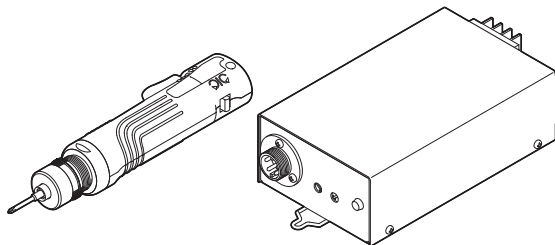
# INSTRUCTION MANUAL

Professional tool ELECTRIC SCREWDRIVER

## delvo

Model: DLV5820U/5820HU/5840U + DLC0350GG/LU

## Parts List



This document is for the special repair operator.  
General users should never disassemble the product.

EN

When repair of the tool or part replacement becomes necessary, contact the retailer where you purchased the tool.

Le présent document est destiné aux techniciens de réparation spécialisés.  
Les utilisateurs généraux ne doivent jamais démonter le produit.

FR

Lorsqu'une réparation ou le remplacement de pièces est nécessaire, contactez le revendeur auprès duquel vous avez acheté l'outil.

Dieses Dokument gilt für speziell ausgebildete Wartungstechniker.  
Allgemeine Nutzer dürfen das Produkt niemals zerlegen.

DE

Wenn das Werkzeug repariert oder ein Teil ausgetauscht werden muss, wenden Sie sich an den Händler, von dem Sie das Werkzeug erworben haben.

Questo documento è destinato all'operatore addetto alle riparazioni speciali.  
Gli utenti generici non devono mai tentare di smontare il prodotto.

IT

Per la riparazione dell'utensile o qualora si renda necessaria la sostituzione di un pezzo, rivolgersi al rivenditore presso il quale è stato acquistato l'utensile.

Este documento es para el operador de reparaciones especiales.  
Los usuarios generales no deberán desmontar jamás el producto.

ES

Para la reparación de la herramienta o si resulta necesaria la sustitución de piezas, póngase en contacto con el vendedor del que adquirió la herramienta.

Este documento destina-se ao operador de reparações específico.  
Os utilizadores gerais não devem nunca desmontar o produto.

PT

Se for necessário substituir alguma peça ou reparar a ferramenta, entre em contacto com o revendedor onde adquiriu a ferramenta.

• Please read manual carefully before you attempt to use your tool so that you may use it properly and safely.

• Due to continuous product development/improvement the specifications and configurations in this document are subject to change without prior notice.

Manufactured by.

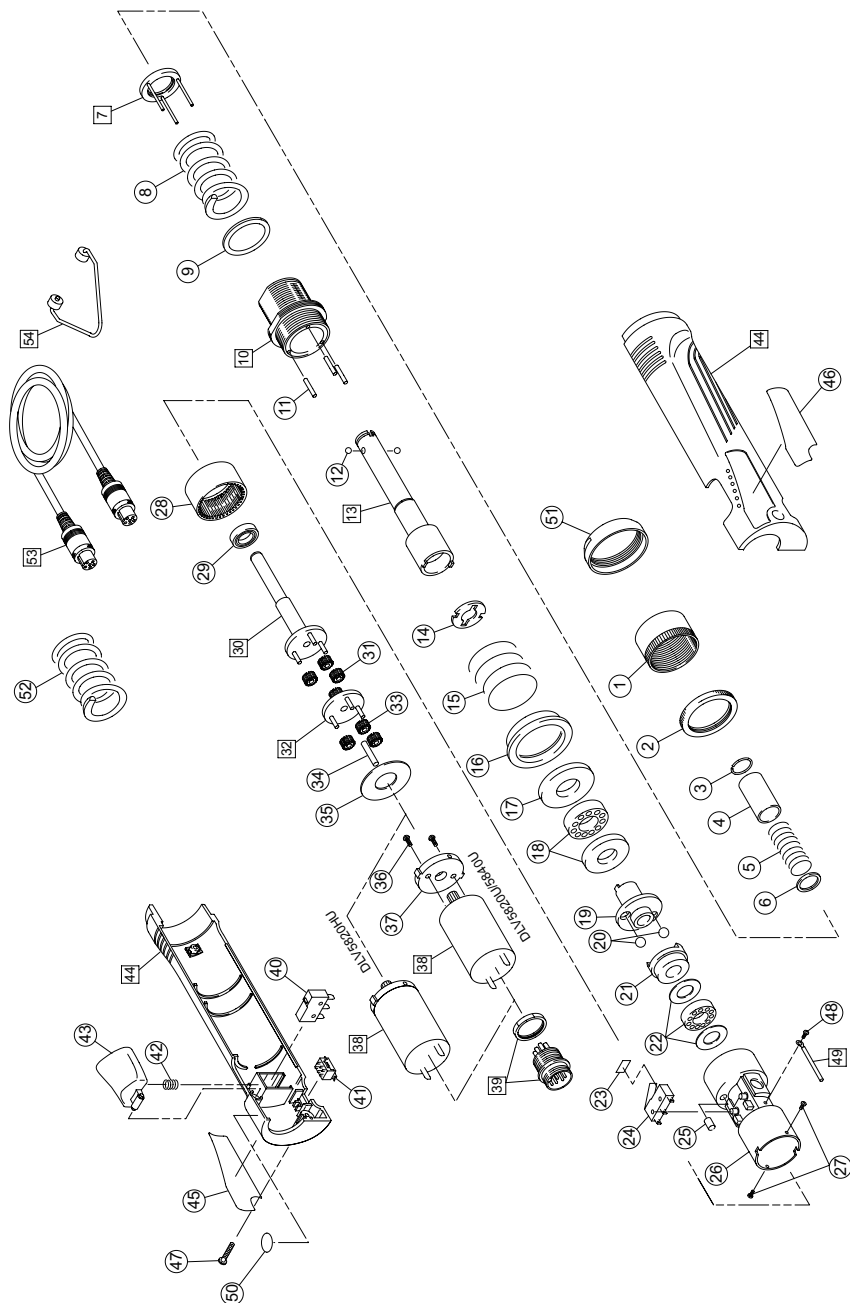
**NITTO KOHKI CO., LTD.**

9-4, Nakaikegami 2-chome, Ohta-ku, Tokyo, 146-8555, Japan  
Tel : +81-3-3755-1111 Fax : +81-3-3753-8791

(Original Instructions)

TV06942-1 09/2017

# EXPLODED VIEW (DLV5820U/DLV5820HU/DLV5840U)

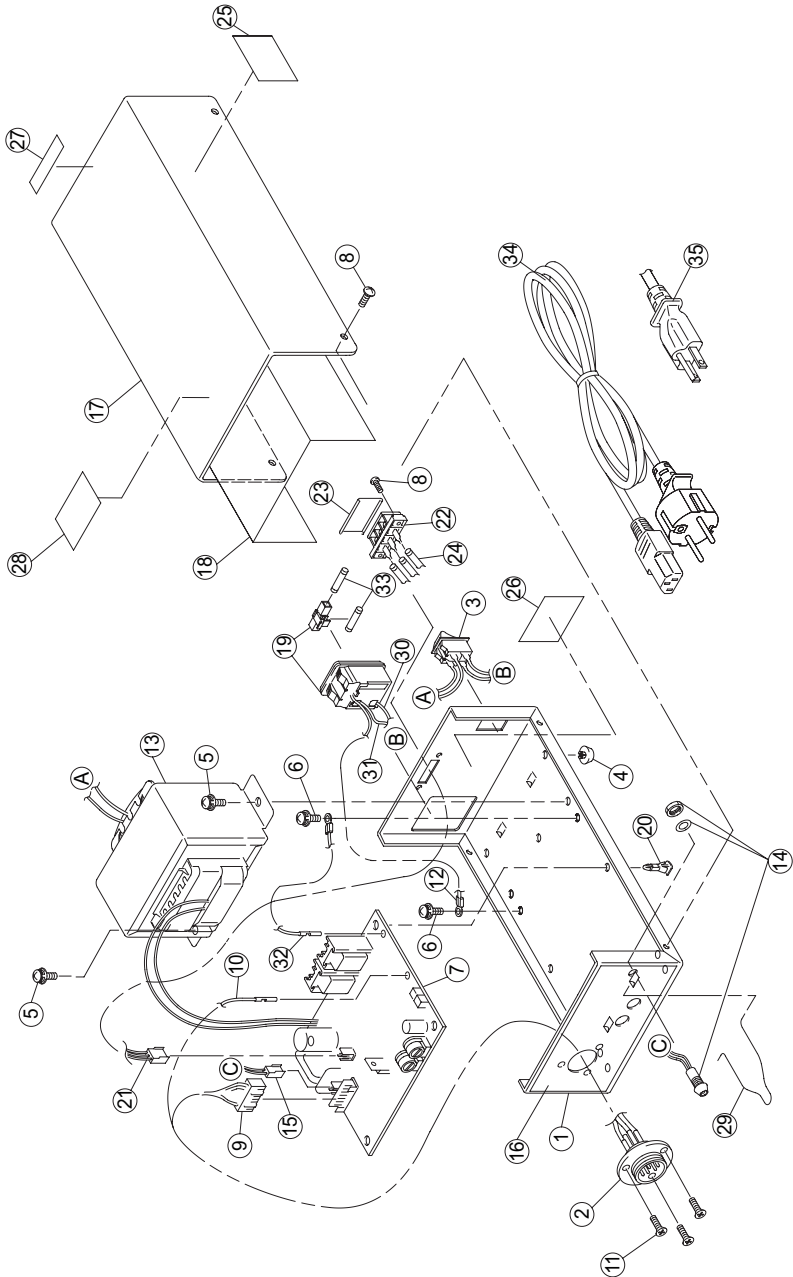


# PARTS LIST (DLV5820U/DLV5820HU/DLV5840U)

No.	Parts Name	Parts No.	Q'ty
1	Spring Adjusting Ring	TV04251	1
2	Rock Nut	TV04255	1
3	Stop Ring	TV03034	1
4	Holder Clamp	TV03032	1
5	Holder Spring	TV04256	1
6	Washer	TV03035	1
7	Spring Plate Assembly	TD04101	1
8	Clutch Spring (DLV5820U/5820HU)	TV04297	1
	Clutch Spring (DLV5840U)	TV04299	1
9	Washer	TV04259	1
10	Nose Nut Assembly	TD04098	1
11	Roller pin 2 mm DIA. 13.8 mm	TV00858	3
12	Steel Ball 1.5 mm DIA.	TV03039	2
13	Bit Holder Assembly	TD04438	1
14	BH-Adapter	TV03934	1
15	Pilot Spring	TV04262	1
16	Spring Guide Ring	TV04261	1
17	Ring Plate	TV04260	1
18	Thrust Bearing	TV03038	1
19	Bit Holder B	TV04253	1
20	Steel Ball 3.5 mm DIA.	TV03040	2
21	Cam	TV03754	1
22	Thrust Bearing	TV03037	1
23	Sheet	TV05924	1
24	Micro Switch	TV04264	1
25	Pilot	TV05923	1
26	Gear Case	TV04296	1
27	Screw	TV01236	2
28	Ring Gear	TV03027	1
29	Ball Bearing	TV04263	1
30	Gear Base Assembly	TD04149	1
31	Idle Gear A	TV03026	3
32	Gear Base B Assembly (DLV5820U)	TD02857	1
	Gear Base C Assembly (DLV5840U)	TD03381	1
	Gear Base D Assembly (DLV5820HU)	TD03373	1
33	Idle Gear A (DLV5820U)	TV03026	3
	Idle Gear B (DLV5840U)	TV03745	3
	Idle Gear C (DLV5820HU)	TV03733	2
34	Roller pin 2 mm DIA. 9.8 mm	TV00337	1
35	Spacer	TV03036	1
36	Screw	TV01236	2
37	Motor Adapter	TV03046	1
38	Motor Assembly	TD02860	1
	Motor Assembly	TD03452	1
	Motor Assembly	TD03459	1

No.	Parts Name	Parts No.	Q'ty
39	Receptacle Assembly	TD03753	1
40	Micro Switch	TV00283	1
41	Change Over Switch	TV03471	1
42	Spring	TV00333	1
43	Lever	TV03909	1
44	Frame Handle Assembly	TD03211	1
45	Rating Label		1
46	Name Label		1
47	Tapping Screw	TV01231	1
48	Screw	TV01236	1
49	Grand Wire Assembly	TD03212	1
50	ESD Seal	TV00870	1
51	Coupling	TV03050	1
52	Clutch Spring (Low Torque Spring) (DLV5820U/5820HU)	TV04298	1
53	Power Cord Assembly	TD04008	1
54	Suspention Bail	TD02864	1

# EXPLODED VIEW (DLC0350GG/DLC0350LU)



# PARTS LIST (DLC0350GG/DLC0350LU)

No.	Parts Name	Parts No.	Qty
1	Chassis	TV05412	1
2	Receptacle	TV03755	1
3	Power Switch	TV03205	1
4	Rubber Foot	TV03202	4
5	Tapping Screw (M4×6) (for GG)	TV03203	2
	Screw M4×5L (for LU)	TV06622	2
6	Screw M4×5L (for GG)	TV06622	2
7	Control Base Assembly	TD07331	1
8	Tapping Screw (M3×10)	TV01137	6
9	Socket Assembly	TD07330	1
10	Wire Assembly	TD02681	1
11	Tapping Screw (M3×8)	TV03763	3
12	Ground Wire Assembly	TD02886	1
13	Transformer (for GG)	TV06374	1
	Transformer (for LU)	TV05592	1
14	Pilot Lamp	TV01093	1
15	Socket Assembly	TD07326	1
16	Face Plate (for GG)	TV03756	1
	Face Plate (for LU)	TV06984	1
17	Cover	TV03753	1
18	Insulated Film (for LU)	TV06983	1
19	Inlet	TV03198	1
20	Spacer	TV03201	4
21	Socket Assembly	TD07328	1
22	Terminal Block	TV03761	1
23	Cover For Terminal Block	TV03762	1
24	Plastic Tube 0.1 m	TV06488	3
25	Rating Label (for GG)		1
26	Rating Label (for LU)		1
27	Label		1
28	Warning Label		1
29	Hook	TV03207	1
30	Wire Assembly	TD02884	1
31	Wire Assembly	TD02885	1
32	Ground Wire Assembly	TD02683	1
33	Fuse (250V, 1A for LU)	TV03199	2
	Fuse (250V, 0.5A for GG)	TV03273	2
34	Cord Assembly For GG (VDE Plug)	TD03001	1
35	Cord Assembly For LU (UL2P Plug)	TD02957	1