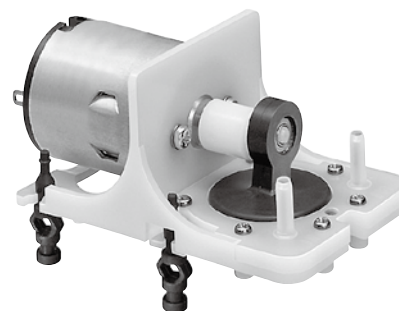


Compressor and Vacuum Pump

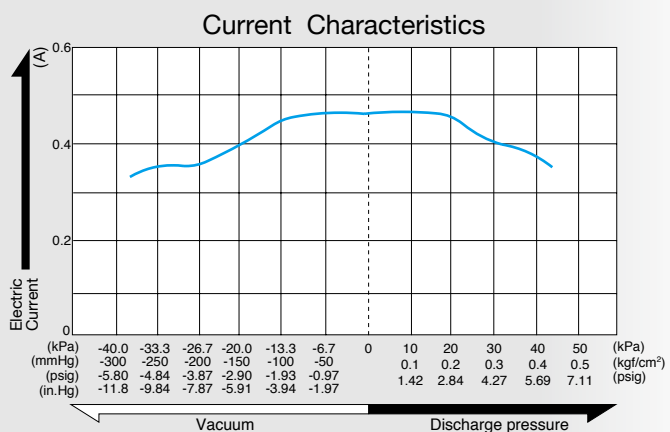
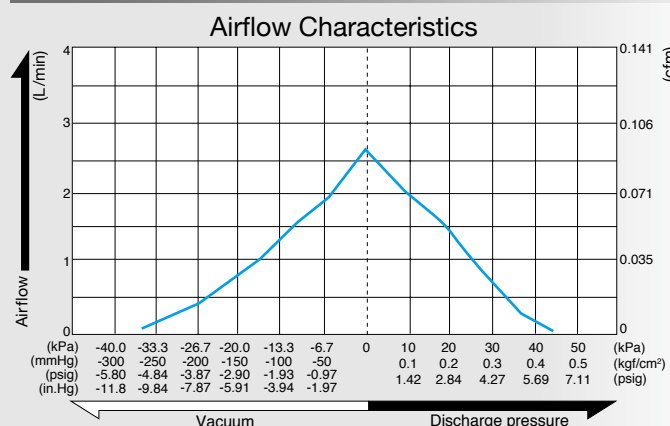
Model **DP0125**



Brush DC Motor 12 V DC



Airflow & Power Consumption



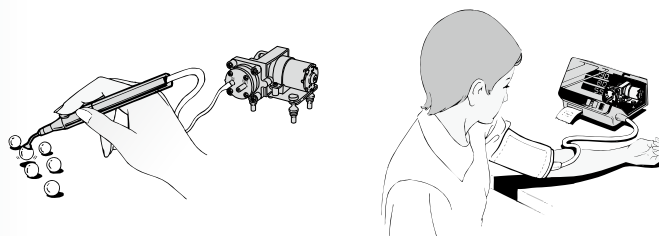
Specifications

Attainable Vacuum	-33.3 kPa (-250 mmHg) -333 mbar - 9.84 in.Hg
Free Air Displacement	2.5 L/min 0.088 cfm
Rated Voltage	12 V DC
Maximum Pressure	30 kPa (0.3 kgf/cm ²) 0.3 bar 4.27 psig
Maximum Current	0.5 A
Duty Cycle	Continuous
Rated Performance (MTTF)	400 hours
Inlet	3 mm O.D. straight barb
Outlet	3 mm O.D. straight barb
Coil Insulation Class	E or its equivalent
Mounting Dimensions	32 (L) x 32.5 (W) mm 1 - 17/64" (L) x 1 - 9/32" (W)
Weight	0.08 kg 0.18 Lbs

Application Examples

Vacuum Sucking Pen

Blood Pressure Tester



External Dimensions (Unit: mm)

