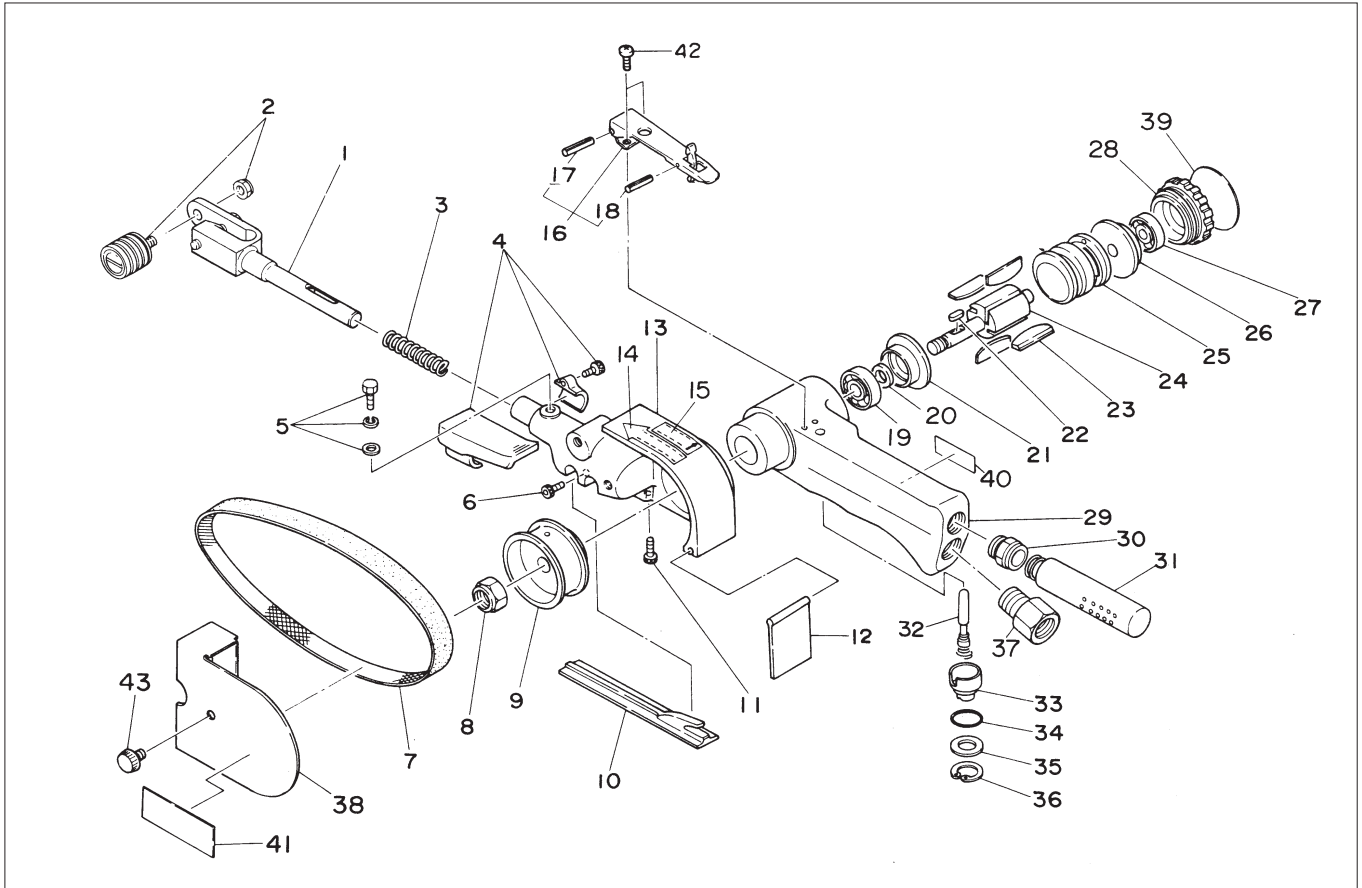


# BELTON B-20C ASSEMBLY AND PARTS LIST



The Part Numbers with ( ) are included in the Ass'y parts written above them.

| No. | Part No.  | Part Name                       | Q'ty  | Price |
|-----|-----------|---------------------------------|-------|-------|
| 1   | TA9A632   | Idle Pulley Bracket B Sub Ass'y | 1 set |       |
| 2   | TA90514   | Idle Pulley B Ass'y             | 1 set |       |
| 3   | TP16535   | Spring 1.2 X 7.8 X 51           | 1     |       |
| 4   | TA90512   | Finger Pad Ass'y                | 1 set |       |
| 5   | TA92254   | Key Bolt Ass'y                  | 1 set |       |
| 6   | TP01945   | Hex. Bolt 5 X 12                | 1     |       |
| 7   | TP01936   | Belts #60 X 20 (20 pcs/set)     | 1 set |       |
| 8   | TP01918   | Hex. Nut M10 XP1.25             | 1     |       |
| 9   | TP01917   | Drive Pulley                    | 1     |       |
| 10  | TP01935   | Flat Shoe                       | 1     |       |
| 13  | TB01950   | Guard Body Sub Ass'y            | 1 set |       |
| 11  | (TP01934) | Hex. Bolt 5 X 18                | 1     |       |
| 12  | (TP16207) | Dust Cover                      | 1     |       |
| 14  | (TP16360) | Label -Rotating Direction       | 1     |       |
| 15  | (TP16361) | Warning Label                   | 1     |       |
| 16  | TB01793   | Throttle Lever Ass'y            | 1 set |       |
| 17  | (TP00460) | Spring Pin 3 X 22               | 1     |       |
| 18  | (TP05498) | Spring Pin 2 X 16               | 1     |       |
| 42  | TP06290   | + Screw 4 X 8                   | 2     |       |
| 19  | TP01913   | Ball Bearing 6000 Z             | 1     |       |
| 20  | TP01912   | Distance Collar                 | 1     |       |
| 21  | TP01911   | End Plate B                     | 1     |       |
| 22  | TP00502   | Sunk Key 4 X 4 X 9.5            | 1     |       |
| 23  | TA9A212   | Blades (4 pcs/set)              | 1 set |       |
| 24  | TP01909   | Rotor                           | 1     |       |
| 25  | TP10000   | Cylinder                        | 1     |       |
| 26  | TP01907   | End Plate A                     | 1     |       |

| No. | Part No.  | Part Name                | Q'ty  | Price |
|-----|-----------|--------------------------|-------|-------|
| 27  | TP00468   | Ball Bearing 608Z        | 1     |       |
| 28  | TB01941   | Cap Ass'y                | 1 set |       |
| 39  | (TQ02582) | Name Plate               | 1     |       |
| 29  | TB01938   | Housing Sub Ass'y        | 1 set |       |
| 40  | (TQ02578) | Warning Label            | 1     |       |
| 30  | TP10005   | Nipple PF3/8             | 1     |       |
| 31  | TA96323   | Silencer Sub Ass'y       | 1 set |       |
| 32  | TA95954   | Valve Stem Ass'y         | 1 set |       |
| 33  | TP12405   | Adjust Valve             | 1     |       |
| 34  | TP12407   | O-Ring S-15              | 1     |       |
| 35  | TP12406   | Spacer 10.5 X 17.9 X 1.6 | 1     |       |
| 36  | CP00987   | Retaining Ring C-18      | 1     |       |
| 37  | TP00857   | Reducer M16 X PT1/4      | 1     |       |
| 38  | TB01947   | Belt Cover Ass'y         | 1 set |       |
| 41  | (TQ02207) | Label CE-Mark            | 1     |       |
| 43  | (TQ02418) | Fixing Screw 5 X 10      | 1     |       |

## ACCESSORIES

|  |         |                              |       |  |
|--|---------|------------------------------|-------|--|
|  | TP01939 | Hex. Wrench Key 4            | 1     |  |
|  | TP01940 | Convex Shoe                  | 1     |  |
|  | TP02236 | Reducer PT1/4 X NPT1/4       | 1     |  |
|  | TP01936 | Belts #60 X 20 (20 pcs/set)  | 1 set |  |
|  | TP01942 | Belts #80 X 20 (20 pcs/set)  | 1 set |  |
|  | TP01943 | Belts #100 X 20 (20 pcs/set) | 1 set |  |
|  | TP01944 | Belts #120 X 20 (20 pcs/set) | 1 set |  |
|  | TQ02585 | Instruction Manual           | 1     |  |
|  | TB03101 | Offset Bracket 20 Ass'y      | 1     |  |