

## 10. EXPLODED DIAGRAM: B-10N

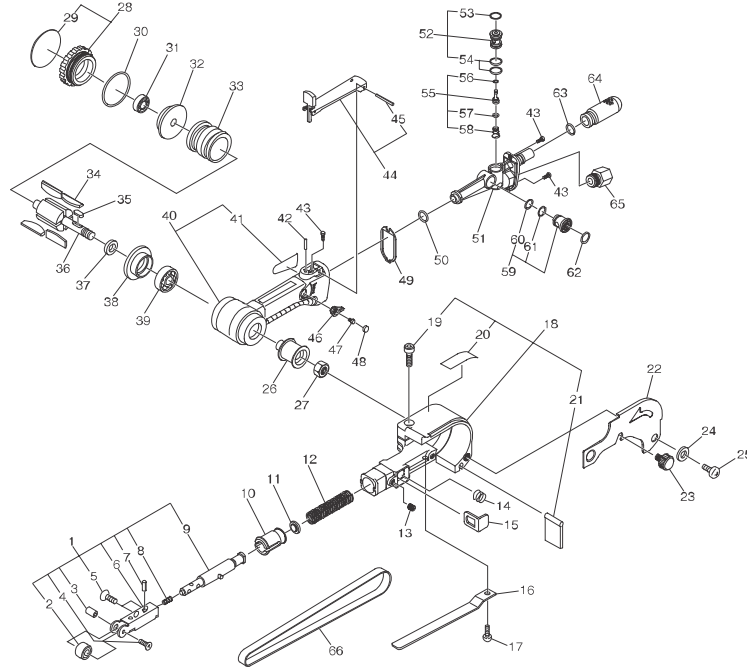
### Warning

This diagram is for your reference only. Do not attempt to service or repair the Tool. Do not take the Tool apart. Contact an authorized Nitto dealer for all service and repair of the Tool.

Improper service and repair can cause accidents and severe injuries.

Never attempt to modify the Tool.

Never attempt service or repair the Tool yourself.



The parts numbers with ( ) are included in the Ass'y parts written above them.

No.	Part No.	Description	Qty	Price
1	TB08236	Bracket 10 Ass'y	1set	
2	(TA99155)	Idle Pulley10 Sub Ass'y	1set	
3	(TQ12264)	Idle Pulley Shaft10	1	
4	(TP14455)	Countersunk Head Screw 2X5	4	
5	(TQ10725)	Hex. Socket Countersunk Head Screw 3X6	2	
6	(TB07898)	Bracket 10 Sub Ass'y	1set	
7	(TP14798)	Spring Pin 3X10 AW	1	
8	(TQ10526)	Tension Bar Spring	1	
9	(TB07236)	Tension Bar Shaft Ass'y	1set	
10	TQ07201	Guard Insert	1	
11	TQ10934	Stopper	1	
12	TQ10724	Spring 1.2X8.4X34	1	
13	TP15643	Hex. Socket Set Screw 4X4 with Flat Point	1	
14	TQ07218	Spring 0.35X7.5X7	1	
15	TQ10587	Push Button	1	
16	TQ10709	Shoe 10	1	
17	TP02618	Pan Head Screw 4X8	1	
18	TB07294	Guard Sub Ass'y B	1set	
19	(TP08646)	Hex. Socket Head Cap Screw 5X14	1	
20	(TP16361)	Label Caution	1	
21	(TQ10710)	Dust Cover	1	
22	TQ10711	Belt Cover 10	1	
23	TQ10712	Decorative Screw	1	
24	TP00144	Washer M4	1	
25	TP12819	Pan Head Screw 4X6	1	
26	TP14916	Drive Pulley	1	
27	TP01924	Hex. Nut M6	1	
28	TB08629	Cap Ass'y	1set	
29	(TQ12644)	Label Model B-10N	1	
30	TP05531	O-ring S-36	1	
31	TP06386	Ball Bearing 607ZZ	1	
32	TP12414	End Plate A	1	
33	TP12415	Cylinder	1	
34	TA9A364	Blade Ass'y (4pcs/set)	1set	
35	TP10130	Parallel Key Both Ends Round 3X3X10	1	
36	TP12416	Rotor	1	
37	TP06322	Spacer 8X11X3	1	
38	TP12418	End Plate B	1	

No.	Part No.	Description	Qty	Price
39	TP12419	Ball Bearing 628ZZ	1	
40	TB08626	Housing Sub Ass'y	1set	
41	(TQ12650)	Label Warning	1	
42	TQ11724	Parallel Pin 3X16	1	
43	TQ11560	Tapping Screw 3X8	3	
44	TB07709	Lever Ass'y	1set	
45	(TP13893)	Spring Pin 3X22AW	1	
46	TQ11554	Adjust Lever	1	
47	TP08598	Pan Head Screw 3X5	1	
48	TQ11626	Lever Cap	1	
49	TQ11555	Packing	1	
50	CQ14480	O-ring JASO-1010	1	
51	TB08078	Air Inlet Sub Ass'y	1set	
52	TB07938	Throttle Valve Ass'y	1set	
53	(TP14604)	O-ring S-10	1	
54	(TP12569)	O-ring S-11.2	2	
55	TB07708	Valve Stem Ass'y	1set	
56	(TQ10395)	O-ringSS-2.5	1	
57	(TP11994)	O-ringP-4	1	
58	(TP03769)	Valve Spring	1	
59	TB07937	Adjust Valve Ass'y	1set	
60	(CQ25954)	O-ring AS568-012	1	
61	(CQ05860)	O-ring AS568-013	1	
62	(CP24969)	O-ring JASO-1011	1	
63	TP07031	O-ring S-8	1	
64	TB08079	Silencer Ass'y	1set	
65	TP00857	Bushing M16XRc1/4	1	

#### Accessories

No.	Part No.	Description	Qty	Price
	TP01939	Hex. Socket Screw Key 4	1	
	TP13892	Hex. Socket Screw Key 2	1	
	TP16597	Abrasive Belt Z76XN #60X10	2	
66	TQ00109	Abrasive Belt Z76XN #80X10	1	
	TQ00110	Abrasive Belt Z76 #100X10	1	
	TQ00352	Abrasive Belt Z76 #120X10	1	
	TP02236	Bushing R1/4XNPT1/4	1	
	TQ12660	Instruction Manual	1	
	TQ12617	Declaration of Conformity	1	