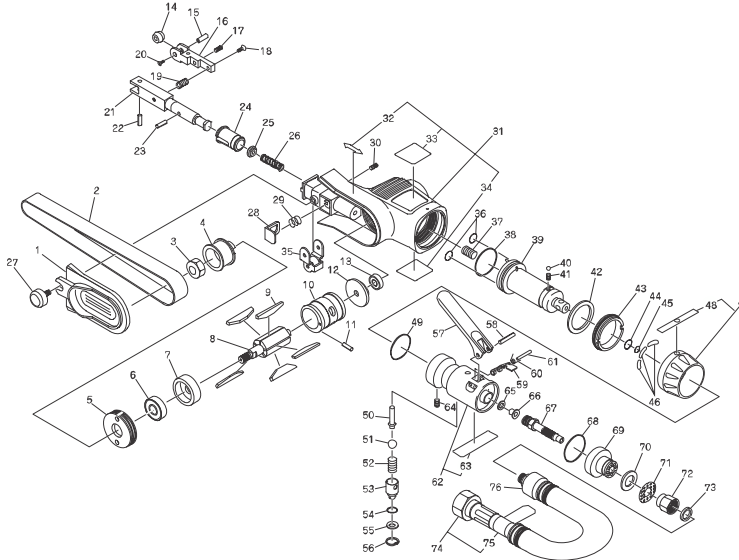


9. EXPLODED DIAGRAM: BB-10A

⚠ Warning

This diagram is for your reference only. Do not attempt to service or repair the Tool.
Do not take the Tool apart. Contact an authorized Nitto dealer for all service and repair of the Tool.
Improper service and repair can cause accidents and severe injuries.
Never attempt to modify the Tool.
Never attempt service or repair the Tool yourself.



The parts numbers with () are included in the Ass'y parts written above them.

No.	Parts No.	Description	Qty	Price
1	TQ07219	Cover	1	
2		Abrasive Belt Z76 #100x10	1	
3	TP01924	Hex. Nut M6	1	
4	TQ07215	Drive Pulley	1	
5	TQ07216	Lock Screw	1	
6	TQ07226	Ball Bearing 698ZZ	1	
7	TQ07199	End Plate B	1	
8	TQ07196	Rotor	1	
9	TB05219	Blade Ass'y (5pcs/set)	1 set	
10	TQ07197	Cylinder	1	
11	TP04225	Spring Pin 2x4	1	
12	TQ07198	End Plate A	1	
13	TQ07225	Ball Bearing 695ZZ	1	
14	TA99155	Idle Pulley 10 Sub Ass'y	1 set	
15	TP12431	Idle Pulley Shaft 10	1	
16	TP14761	Bracket 10	1	
17	TP02154	Hex. Socket Set Screw with Flat Point 3x6	1	
18	TP05121	Countersunk Head Screw 3x10	1	
19	TP14763	Spring 0.9x7.5x6.5	1	
20	TP14455	Countersunk Head Screw 2x5	1	
21	TQ07203	Tension Bar	1	
22	TP14798	Spring Pin 3x10	1	
23	TQ07228	Spring Pin 3x12	1	
24	TQ07201	Guard Insert	1	
25	TQ07248	Stopper	1	
26	TQ07204	Spring 1x8.2x27.5	1	
27	TQ07220	Cover Screw	1	
28	TQ07217	Push Button	1	
29	TQ07218	Spring 0.35x7.5x7	1	
30	TQ07618	Hex. Socket Set Screw with Flat Point 3x3	1	
31	TB08790	Housing Ass'y	1 set	
32	(TQ07221)	Rotating Direction Label	2	
33	(TQ11499)	Label Model Number	1	
34	(TQ12878)	Warning Label	1	
35	TB05539	Offset Bracket Ass'y	1 set	
36	TQ10274	O-ring SS-050	2	
37	TP06141	Hex. Socket Set Screw with Flat Point 6x6	1	
38	CP27013	O-ring JASO-1025	1	
39	TB05962	Front Valve Sub Ass'y	1 set	
40	TP15767	Ball O.D.3	1	
41	TQ10276	Spring 0.5x2.5x4.7	1	
42	TQ07208	Spacer 23x30x1.5	1	
43	TQ07209	Lock Ring	1	

No.	Parts No.	Description	Qty	Price
44	TP14604	O-ring S-10	1	
45	TQ07356	O-ring S-6	1	
46	TQ12705	O-ring S-12.5	3	
47	TB08663	Valve Ring Ass'y	1 set	
48	(TQ10263)	Label Switch	1	
49	TP03988	O-ring S-20	1	
50	TB07912	Valve Stem Ass'y	1 set	
51	TQ10271	Ball 1/4	1	
52	TQ10259	Valve Spring	1	
53	TQ10258	Adjust Valve	1	
54	TP12003	O-ring KS-5	1	
55	TP02152	Spacer M5	1	
56	TP17147	Internal Retaining Ring IRTW-10	1	
57	TQ10257	Throttle Lever	1	
58	TP15780	Spring Pin 3x24	1	
59	TQ10256	Lock Lever	1	
60	TQ10255	Lock Lever Spring	1	
61	TQ10269	Parallel Pin 2.5x16	1	
62	TB08792	Rear Valve Sub Ass'y	1 set	
63	(TQ12676)	Warning Label CE Mark	1	
64	TQ11146	Hex. Socket Set Screw with Cup Point 3x4	1	
65	TP06129	Spacer M3	1	
66	TQ10273	Hex. Socket Low Head Cap Screw 3x5	1	
67	TQ11497	Charge Nipple	1	
68	TQ10280	O-ring S-22	1	
69	TQ10262	Hose Holder	1	
70	TQ07212	Muffler	1	
71	TQ11498	Muffler Cover	1	
72	TQ11496	Adjust Nut	1	
73	CP26930	O-ring S-7	1	
74	TB08730	Charge Hose J Ass'y	1 set	
75	(TQ11519)	Label Lubrication	1	
76	TQ04367	Exhaust Hose	1	

Standard Accessories

No.	Parts No.	Description	Qty	Price
	TP14797	Hex. Socket Screw Key 1.5	1	
		Abrasive Belt Z76 #120x10	1	
		Abrasive Belt Z76 #180x10	1	
		Abrasive Belt Z76 #240x10	1	
	TP02236	Bushing R1/4 x NPT1/4	1	
	TQ12879	Instruction Manual	1	
	TQ12881	Declaration of Conformity	1	