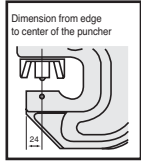


HA11-1624



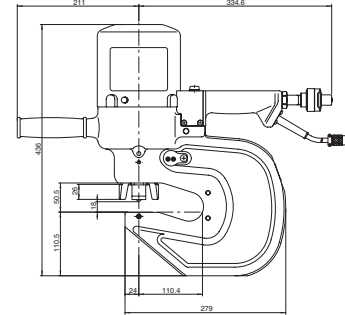
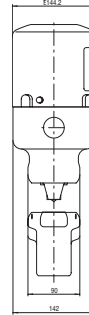
MODEL

# HA11-1624

### Specifications

<b>Model</b>	<b>HA11-1624</b>	
<b>Max. Throat Depth</b>	inch (mm)	4-5/16" (110)
<b>Punching Capacity (for Mild Steel)</b>	<b>Max. Punching Diameter</b>	inch (mm) 15/16" (24)
	<b>Max. Punching Thickness</b>	inch (mm) 5/8" (16)
<b>Hole Making Time</b>	sec	Punching Time 16.5
<b>Allowable Max. pressure</b>	psi (kgf/cm <sup>2</sup> )	10,000 psi (700)
<b>Max. Output</b>	lbf (tf)	97,020 (49)
<b>Ram Stroke</b>	inch (mm)	1" (25)
<b>Mass (Weight)</b>	lbs (kg)	78 (35.5)

HA11-1624



### Standard Accessories for HA11-1624

- Hose cord assembly
- 22 mm "D" series punch & die
- Sub handle assembly
- Spanner wrench
- 4 mm Allen wrench
- Tool box