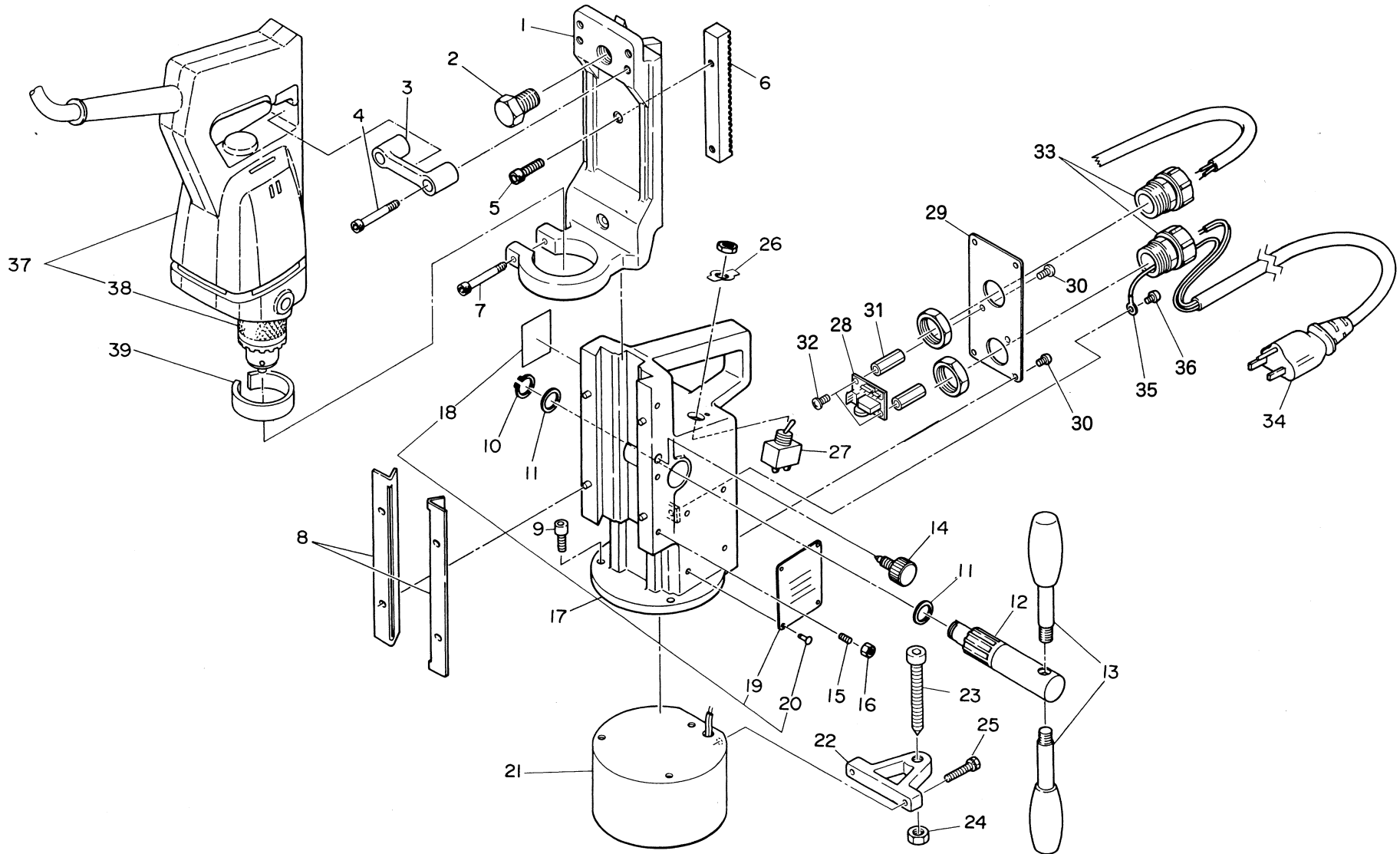


## 11. Assembly

### ⚠ WARNING

- The illustration is for information only. Users should never disassemble parts. Contact the sales agent from whom you purchased the tool or authorized dealer should the tool need service, repair or replacement of parts.



## 12. Parts list

The parts numbers with ( ) are included in the Ass'y parts written above them.

No.	Part No.	Part Name	Q'ty	Price
1	TQ00371	Slide board	1	
2	TP15299	Hex. bolt 16×25	1	
3	TP17046	Fastening plate of electric drill	1	
4	TP04073	Hex. bolt with hole 6×35	2	
5	TP15270	Hex. bolt with hole 6×22	2	
6	TP15111	Rack	1	
7	TP05469	Hex. Bolt with hole 6×45	1	
8	TP15103	Slide plate	2	
9	TP05474	Hex. bolt with hole 6×14	3	
10	TP02539	Snap ring G-14 for shaft	1	
11	TP05463	Pinion washer 14.2×19×1	2	
12	TP05461	Pinion shaft	1	
13	TP05478	Rod handle	2	
14	TP02931	Set screw	1	
15	TP04519	Hex. Bolt with hole 5×18	3	
16	TP02936	Hex. nut M5	3	
17	TB04608	Body sub Ass'y	1	
18	(TQ05807)	Warning name plate	1	
19	(TQ06076)	Name plate specifications	1	
20	TP05136	Drive screw #2×4.8	4	
21	TB04613	Magnet Ass'y	1set	
22	TQ03686	Stabilizer	1	
23	TQ03687	Stabilizer shaft	1	
24	TP13840	Hex. nut M10	1	

No.	Part No.	Part Name	Q'ty	Price
25	TQ03340	Hex. socket head cap screw 6×25 with spring washer	2	
26	TP00076	Name plate of Switch	1	
27	TQ00334	Switch ET110A12	1	
28	TB08574	Print board Ass'y	1	
29	TQ12600	Electrical plate	1	
30	TP02618	+Pan head screw 4×8	4	
31	TQ12610	Spacer	2	
32	TQ03198	Pan Head Screw 4×6	2	
33	TP17142	Cable connector SC 4-1	2	
34	TB04614	Cabtyre cable Ass'y	1	
35	TP14359	Pressure terminal with insulation FV 1-25-4	2	
36	LP08489	+Bind screw 4×6	1	
37	TB04610	Electric drill Ass'y	1set	
	(TB00309)	Carbon brush Ass'y	1set	
38	(TP08005)	Drill chuck	1	
39	TP17000	Fastening bush of electric drill G	1	

### Accessories

	Part No.	Part Name	Q'ty	Price
	TP04305	Hex. Socket Screw Key 2.5	1	
	TP04004	Hex. Socket Screw Key 5	1	
	TP14091	Spanner 7×8	1	
	TQ06077	Instruction Manual	1	