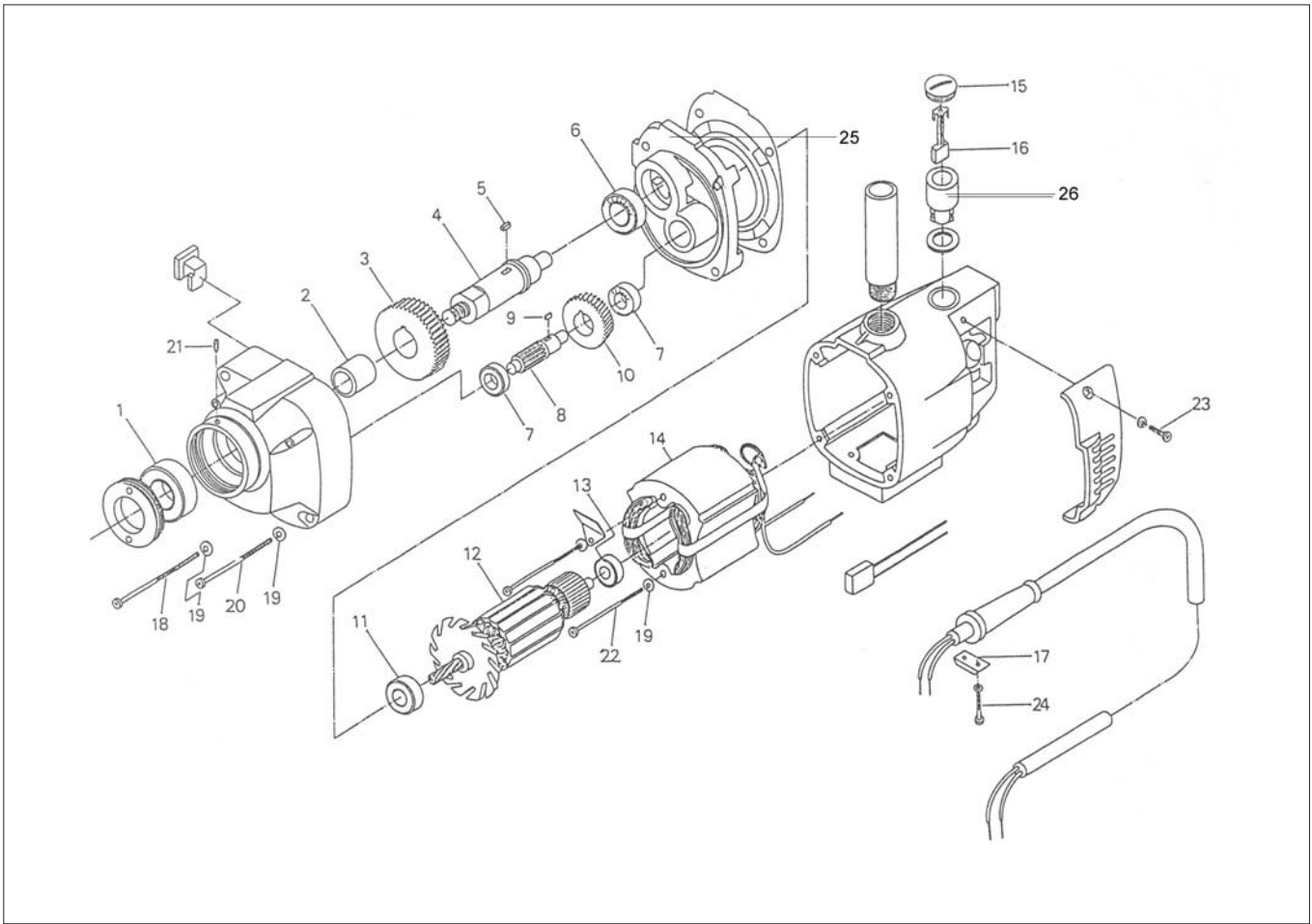


A-35 MOTOR ASSEMBLY AND PARTS LIST



The Part Numbers with () are included in the Ass'y parts written above them.

| No. | Part No. | Part Name | Q'ty | Price |
|-----|----------|---------------------------|-------|-------|
| 1 | TP17382 | Ball Bearing 6005Z | 1 | |
| 2 | TP13346 | Collar | 1 | |
| 3 | TP16478 | Helical Gear (B) | 1 | |
| 4 | TP13348 | Spindle | 1 | |
| 5 | TP13349 | Sunk Key 5 X 5 X 8 | 1 | |
| 6 | TP17383 | Ball Bearing 6202 | 1 | |
| 7 | TP00468 | Ball Bearing 608Z | 2 | |
| 8 | TP16479 | Pinion | 1 | |
| 9 | TP13351 | Sunk Key 3 X 3 X 7 | 1 | |
| 10 | TP16480 | Helical Gear (A) | 1 | |
| 11 | TP17438 | Ball Bearing 6200Z | 1 | |
| 12 | TA9A644 | Armature (115V) | 1 set | |
| | TB00344 | Armature Ass'y (220-240V) | 1 set | |
| 13 | TP06242 | Ball Bearing 629ZZ | 1 | |
| 14 | TA9A645 | Field (115V) | 1 set | |
| | TP06393 | Stator Ass'y (220-240V) | 1 set | |
| 15 | TP13357 | Brush Cap | 2 | |
| 16 | TA98260 | Brush Ass'y (2 pcs/set) | 1 set | |
| 17 | TP13362 | Cord Clamp | 1 | |

| No. | Part No. | Part Name | Q'ty | Price |
|-----|----------|------------------|------|-------|
| 18 | TP17450 | + Screw 5 X 90 | 2 | |
| 19 | TP00513 | Spring Washer M5 | 6 | |
| 20 | TP06263 | + Screw 5 X 65 | 2 | |
| 21 | TP17397 | - Screw 4 X 5 | 1 | |
| 22 | TP17449 | + Screw 5 X 60 | 2 | |
| 23 | TP11245 | + Screw 4 X 10 | 2 | |
| 24 | TP17453 | + Screw 4 X 20 | 2 | |
| 25 | TP13353 | Bearing Bracket | 1 | |
| 26 | TP13358 | Brush Holder | 1 | |