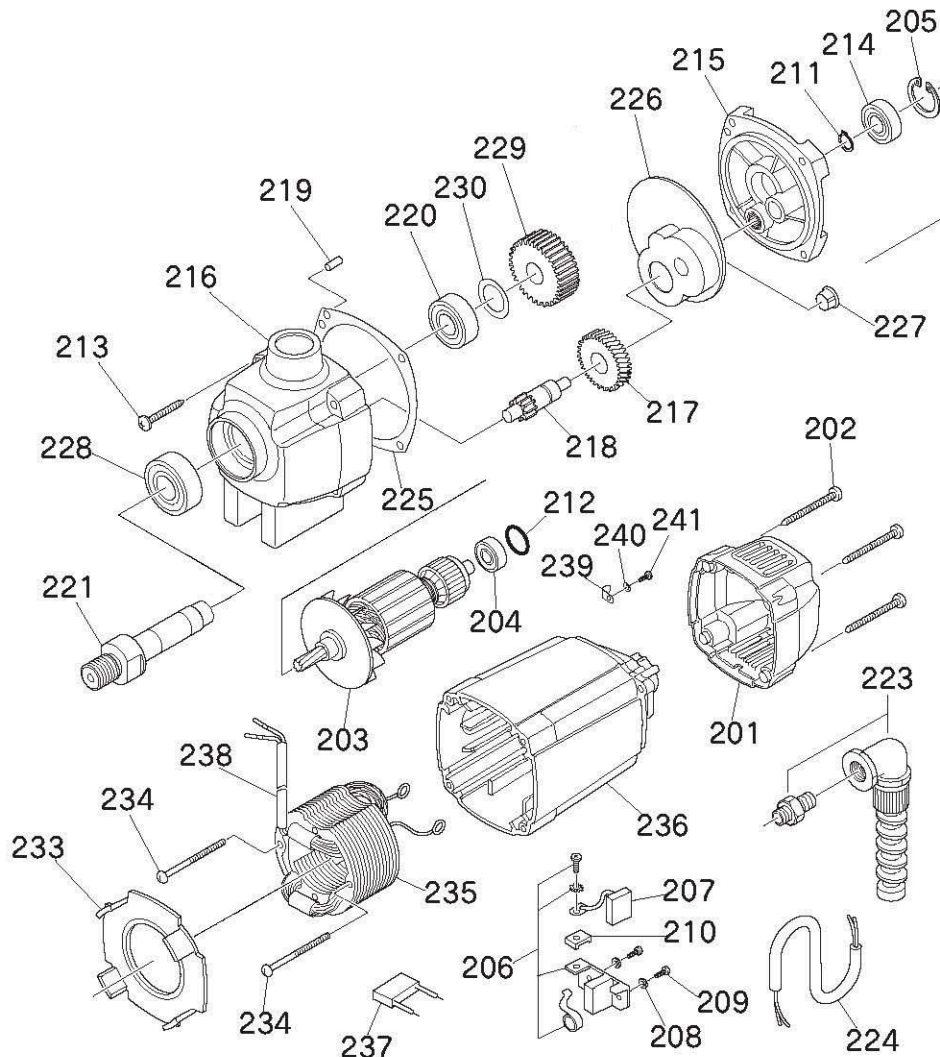


12. EXPLODED DIAGRAM: DRILL MOTOR

! WARNING

This diagram is for reference only. Do not attempt to service or repair the Nitto Portable Magnetic Drilling Machine. Do not take the machine apart. Contact an authorized Nitto dealer for all service and repair of the machine. Improper service and repair can cause accidents and severe injuries. Never attempt to modify the machine. Never attempt to service or repair the machine yourself.



No.	Part No.	Part Name	Q'ty	Price
201	TQ11172	Cap	1	
202	TQ06819	Self Tapping Screw HC4.8 x 38	4	
203	TB05194	Armature Ass'y	1set	
204	TP00468	Ball Bearing 608ZZ	1	
205	TP01036	Internal Retaining Ring C-28	1	
206	TB05193	Brush Holder Ass'y	2sets	
207	TB05187	Carbon Brush Ass'y	1set	
208	TQ06820	Spring Washer B4	2	
209	TQ06828	Screw ZM4 x 12	2	
210	TQ06838	Contact Washer	1	
211	TP04595	External Retaining Ring C-10	1	
212	TQ06839	O-Ring 22 x 2.5	1	
213	TQ12925	PT-Screw 5.0 x 50	4	
214	TP00498	Ball Bearing 6001ZZ	1	
215	TB05495	Bearing Bracket Ass'y	1set	
216	TB05496	Gear Case Ass'y	1set	
217	TQ06821	Intermediate Gear 34Z	1	
218	T006822	Pinion Shaft 10Z	1	
219	TQ06842	Notched Pin 4 x 12	1	
220	TQ06829	Ball Bearing 6003LLU	1	

No.	Part No.	Part Name	Q'ty	Price
221	TQ06823	Spindle	1	
222	TQ06824	Cord Protector	1	
223	TQ06843	Connecting Cable	1	
224	TQ06843	Connecting Cable	1	
225	TQ06844	Gear Case Seal	1	
226	TQ06825	Grease Chamber	1	
227	TQ06845	Plug	1	
228	TQ06830	Ball Bearing 6203LLU	1	
229	TQ06826	Spindle Gear 43Z	1	
230	TQ06846	Fitting Washer 17 x 24 x 0.2	1	
231	TQ06848	Air Guiding Ring	1	
232	TQ06849	Self Tapping Screw HC3.9 x 60	2	
233	TB05191	Stator Ass'y	1set	
234	TQ06849	Self Tapping Screw HC3.9 x 60	2	
235	TB05191	Stator Ass'y	1set	
236	TQ06850	Motor Housing	1	
237	TQ06851	Condenser	1	
238	TQ06852	Insulation Tubing	1	
239	TQ06853	Mounting Clip	1	
240	TQ06854	Disk 3.2	1	
241	TQ06855	Self Tapping Screw HC2.9 x 9.5	1	