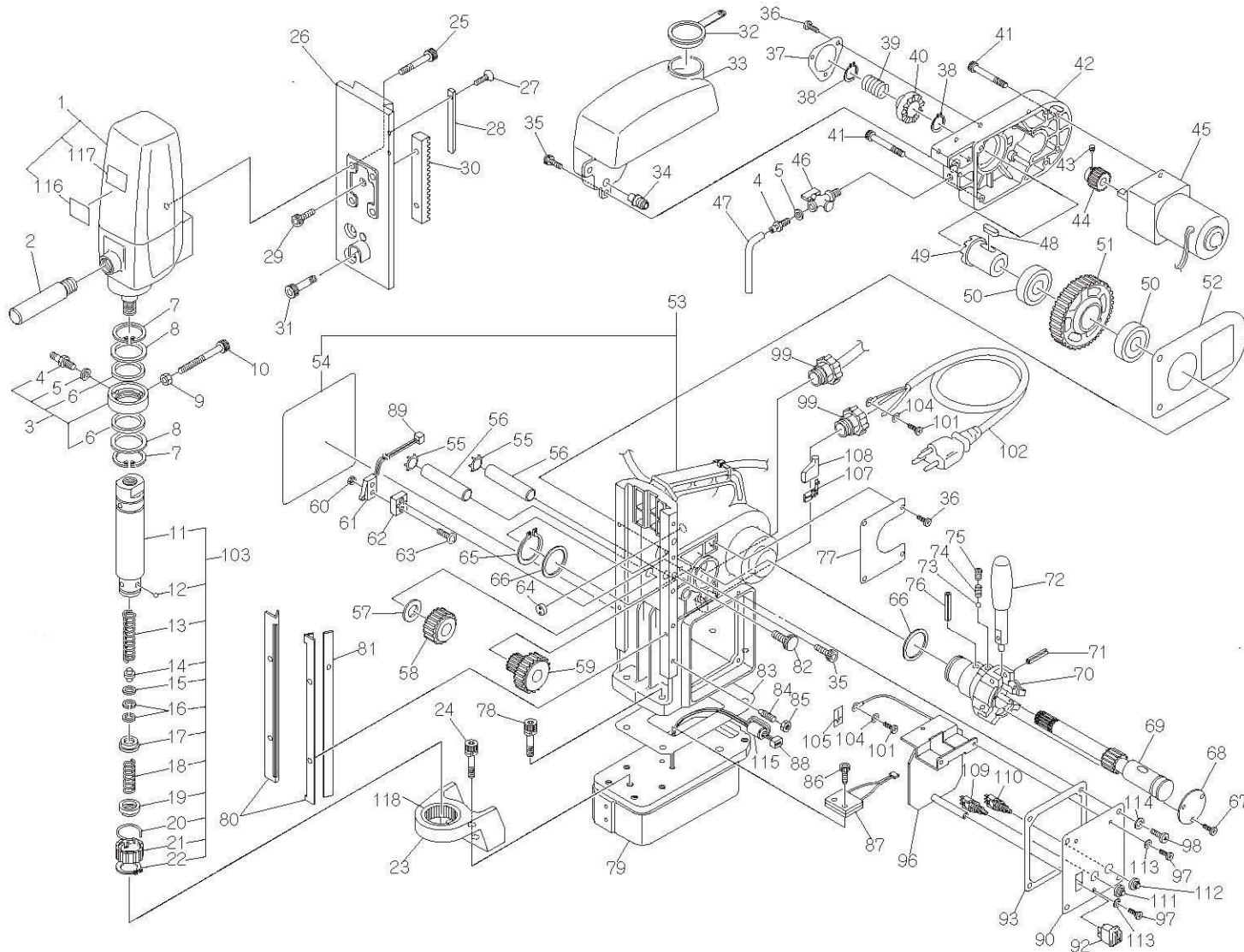


## 11. EXPLODED DIAGRAM: MACHINE

### WARNING

This diagram is for reference only. Do not attempt to service or repair the Nitto Portable Magnetic Drilling Machine. Do not take the machine apart. Contact an authorized Nitto dealer for all service and repair of the machine. Improper service and repair can cause accidents and severe injuries. Never attempt to modify the machine. Never attempt to service or repair the machine yourself.



No.	Part No.	Part Name	Q' ty	Price
1	TB05117	Drill Motor Ass'y	1set	
-	(TB05187)	Carbon Brush Ass'y	1set	
116	(TQ11565)	Label Arbor Warning	1	
117	(TQ13281)	Label Shock Warning	1	
2	TB02534	Side Handle Ass'y	1set	
3	TB00496	Oil Ring Sub Ass'y	1set	
4	(TP14500)	Hose Nipple	2	
5	(CP21947)	Packing S-4.7 × 8 × 0.8	2	
6	(TP14499)	Oil Seal GD38 × 48 × 4	2	
7	TP14969	External Retaining Ring ISTW-38	2	
8	TP12773	Washer 38.5 × 54 × 1	2	
9	LP10496	Hex. Nut M6	1	
10	TP05469	Hex. Socket Head Cap Screw 6 × 45	1	
103	TB05121	Arbor Body Ass'y	1set	
11	(TQ06755)	Arbor Body	1	
12	(TB01672)	Ball 5/16 Ass'y	1set	
13	(TP15998)	Spring 1.6 × 16.2 × 120	1	
14	(TQ01895)	Pilot Spacer	1	
15	(TP15848)	Spacer 10.5 × 19 × 5	1	
16	(TP13905)	Internal Retaining Ring ISTW-19	2	
17	(TB01348)	Washer Ass'y	1set	
18	(TQ01898)	Spring 0.8 × 12 × 31	1	
19	(TB01349)	Push Ring Ass'y	1set	
20	(TQ01896)	Rotating Spring	1	
21	(TQ01897)	Sleeve	1	
22	(TP15239)	External Retaining Ring C-28	1	
23	TB05407	Bracket Ass'y	1set	
118	(TQ03444)	Roller Bearing	1	
24	TQ03346	Hex. Socket Head Cap Screw 8 × 30 With Spring Washer	3	
25	TP08013	Hex. Socket Head Cap Screw 5 × 25	4	
26	TQ06753	Slide Board	1	
27	TP00112	Countersunk Head Screw 4 × 10	1	
28	TQ06754	Pointer	1	
29	TP14178	Hex. Socket Head Cap Screw 6 × 10	2	
30	TQ02496	Rack	1	
31	TP14174	Hex. Socket Head Cap Screw 10 × 25	1	
32	TQ11062	Rubber Cap	1	
33	TQ06784	Oil Tank	1	
34	TQ06786	Rubber Plug	1	
35	TP04715	Hex. Socket Head Cap Screw 4 × 8	5	
36	TP12819	Pan Head Screw 4 × 6	7	
37	TQ06777	Cover Plate	1	
38	TP06387	External Retaining Ring GV-16	2	
39	TP06374	Spring	1	
40	TP12325	Clutch A	1	
41	TQ06770	Hex. Socket Head Cap Screw 4 × 35	8	
42	TQ06769	Gear Box	1	

No.	Part No.	Part Name	Q' ty	Price
43	CP26427	Hex. Socket Set Screw With Cup Point 8 × 20	1	
44	TQ06768	Spur Gear 1 × 23	1	
45	TQ06767	Geared Motor	1	
46	TP14495	P-Cock PT1/8	1	
47	TB01098	Tube 4 × 7 × 3000 Ass'y	1set	
48	TQ06765	Parallel Key 8 × 7 × 20 Both ends round	1	
49	TQ06763	Clutch B	1	
50	TQ06766	Ball Bearing 6906ZZ	2	
51	TQ06764	Spur Gear 1 × 88	1	
52	TQ06782	Packing Gear Box	1	
53	TB08778	Body Sub Ass'y	1set	
54	(TQ11224)	Label Warning	1	
105	(LP13557)	Label Earth	1	
55	TQ04715	Internal Retaining Ring CRTW-12	2	
56	TQ06776	Shaft	2	
57	TQ06779	Washer 12.2 × 28 × 1	1	
58	TQ11730	Spur Gear 1.5 × 26	1	
59	TQ11729	Spur Gear 1.5 × 14 × 29	1	
60	TP08139	Hex. Nut Type 1 M2.3	2	
61	TQ06771	Limit Switch ABS5634318	1	
62	TQ06772	Fixture For Limit Switch	1	
63	TP07784	Pan Head Screw 2.3 × 15	2	
64	TQ00394	Seal Bushing	1	
65	TQ06781	External Retaining Ring ISTW-32	1	
66	TQ06780	Washer 32.2 × 42 × 2	2	
67	TP08598	Pan Head Screw 3 × 5	3	
68	TQ06762	Plate Automatic Feeder	1	
69	TQ06760	Gear Shaft	1	
70	TQ06761	Handle Stem	1	
71	TP12821	Spring Pin 5 × 26AW Double	3	
72	TQ00680	Rod Handle	3	
73	CP01123	Ball 3/16	3	
74	TP06396	Spring	3	
75	TP06397	Hex. Socket Set Screw With Cup Point 6 × 8	3	
76	TQ06759	Spring Pin 8 × 40AW	1	
77	TQ06778	Plate Spec.	1	
78	TQ03345	Hex. Socket Head Cap Screw 8 × 25 With Spring Washer	4	
79	TB05129	Square Pole Ass'y	1set	
80	TP12777	Slide Plate	2	
81	TQ06773	Gib	1	
82	TP02931	Set Screw	1	
83	TQ06794	Packing Pole	1	
84	TQ00730	Hex. Socket Set Screw With Dog Point 6 × 20	5	
85	TP07419	Hex. Nut Type 3 M6	5	

No.	Part No.	Part Name	Q' ty	Price
86	TP10600	Hex. Socket Head Cap Screw 4 × 18	2	
87	TB01363	Side Slip Detection Function Ass'y	1set	
88	TB00573	D Cord Ass'y	1set	
89	TB05154	F Cord Ass'y	1set	
90	TQ10469	Switch Plate	1	
92	TQ07306	Rocker Switch	1	
93	TQ06787	Packing Body	1	
96	TB09049	Control Board Ass'y	1set	
97	TP02618	Pan Head Screw 4 × 8	3	
98	TP02419	Pan Head Screw 6 × 10	4	
99	TQ07097	Cable Connector 3217	2	
101	LP08489	Binding Head Screw 4 × 6	2	
102	TB05877	Cabtyre Cord Ass'y	1set	
104	TP04464	Toothed Lock Washer B M4	2	
107	TQ07308	Terminal #250 42232-3	2	
108	TQ07309	Sleeve 170891-1	2	
109	TB07055	Switch SW3 Ass'y	1set	
110	TB07054	Switch SW2 Ass'y	1set	
111	TQ10085	Waterproofing Cap Black	1	
112	TQ10467	Waterproofing Cap Red	1	
113	TQ00258	Seal Washer M4	3	
114	TQ01331	Seal Washer M6	4	
115	TQ11011	Hinged-Clamp Core	1	

The part numbers with ( ) are include in the Ass' y parts written above them.

### Accessories

No.	Part No.	Part Name	Q' ty	Price
	TP04696	Hex. Socket Screw Key 3	1	
	TP17014	Spanner 8 × 10	1	
	TJ15859	Pilot Pin 08035	1	
	TA99027	Chain Ass'y	1set	
	TB02145	Cutting Oil 0.5 ℓ Ass'y	1set	
	TB05418	Guard Ass'y	1set	
	TQ11225	Instruction Manual	1	