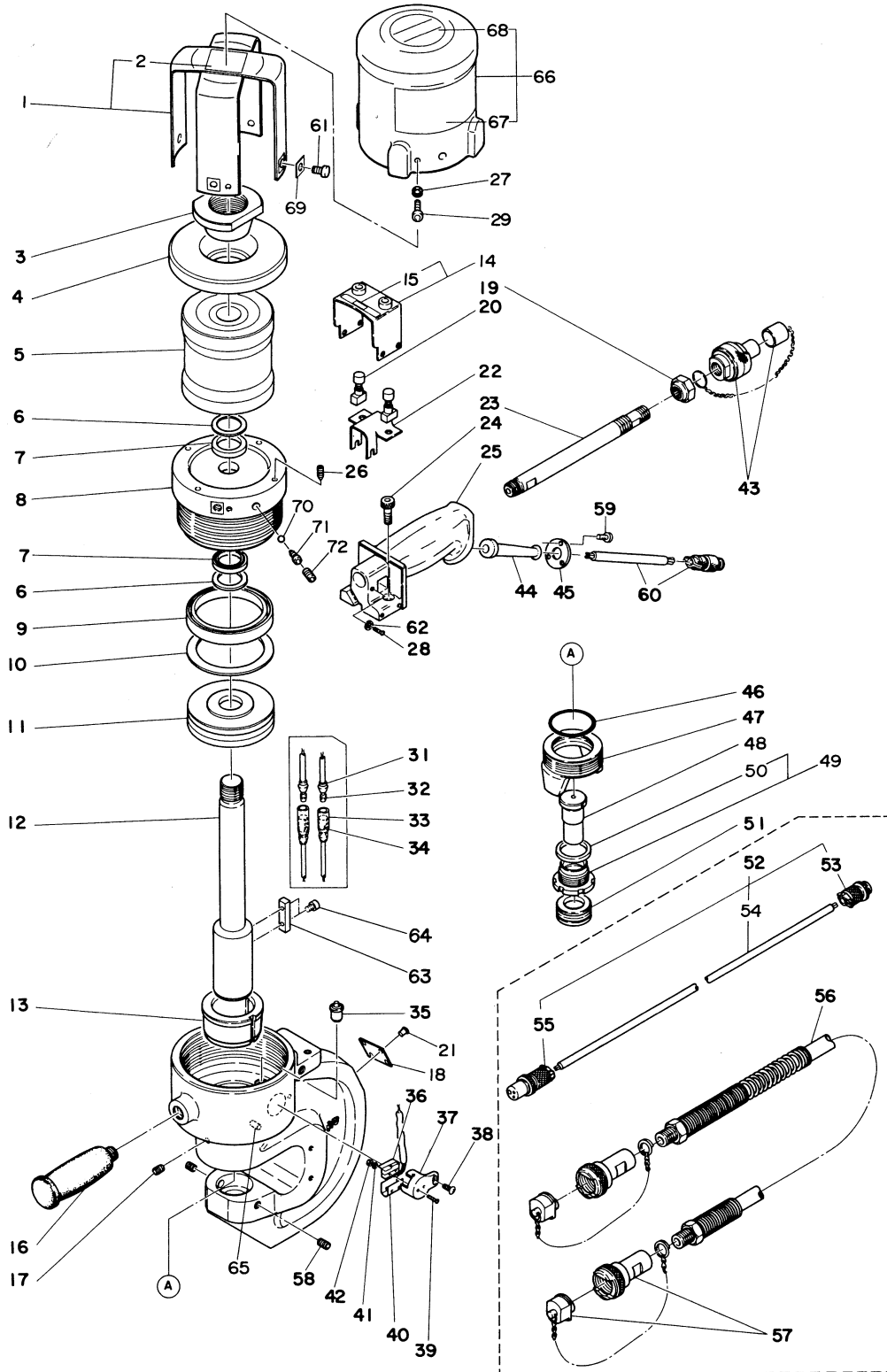


# 14 HA07-1624 / HA11-1624 ASSEMBLY

## **⚠ WARNING**

This diagram is for your reference only. Do not attempt to service or repair the Tool.  
Do not take the Tool apart. Contact an authorized Nitto dealer for all service and repair of the Tool.  
Improper service and repair can cause accidents and service injuries.  
Never attempt to modify the Tool. Never attempt service or repair the Tool yourself.



# 15 HA07-1624 /HA11-1624 PARTS LIST

The Part number with ( ) are included in the Ass'y parts written above them.

No.	Part No.	Part Name	Q'ty	Price
1	TB04929	Inner Cover Ass'y	1set	
2	(TQ06572)	Label Caution Inner Cover	1	
3	TP13074	Nut M27 Special	1	
4	TP13073	Upper Plate	1	
5	TP08550	Spring 28.5×92×106.5	1	
6	TP07772	Back-up Ring 28×35.5×1.25 T2	2	
7	TP07771	Y Packing UHS-28	2	
8	TQ04516	Cap	1	
9	TP07768	Y Packing UHS-85	1	
10	TP07769	Back-up Ring 85×100×2 T2	1	
11	TP08557	Piston	1	
12	TP13078	Ram	1	
13	TP14084	Bushing	1	
14	TB04925	Switch Cover Ass'y	1set	
15	(TP08411)	Label Switch	1	
17	TP06397	Hex. Socket Set Screw with Flat Point 6×8	1	
18	TQ06613	Plate Model Number (HA07-1624)	1	
	TQ06570	Plate Model Number (HA11-1624)	1	
19	TP07793	Set Screw	1	
20	TQ06476	Push Switch MB2011 L/B	2	
21	TP05136	Drive Rivet No.2×4.8	4	
22	TP13750	Bracket	1	
23	TP07792	Nipple PT3/8×PT3/8 Special	1	
24	TP01460	Hex. Socket Head Cap Screw 8×20	2	
25	TQ03522	Hand Grip	1	
26	TQ12048	Hex. Socket Set Screw W Point 6×16	4	
27	TQ03545	Conical Spring Washer M6	4	
28	TP05119	Pan Head Screw 5×8	6	
29	TP01644	Hex. Socket Head Cap Screw 6×12	4	
31	TP08188	Insulating Sleeve Plug 170887-1	2	
32	TP08186	Connection Plug 170020-1	2	
33	TP08189	Insulating Sleeve Receptacle 170889-1	2	
34	TP08187	Receptacle 170021-1	2	
35	TA93768	Push Rod Ass'y	1set	
36	TA94091	Limit Switch Sub Ass'y	1set	
37	TP07783	Limit Switch Cover Black	1	
38	TP02419	Pan Head Screw 6×10	1	
39	TP07784	Pan Head Screw 2.3×15	2	
40	TP08135	Glass Wanice Cross 28×20	1	
41	TP07785	Spring Lock Washer M2.3	2	
42	TP08139	Hex. Nut M2.3	2	
43	CA94119	700R-3P Cap Ass'y	1set	
44	TP12928	Cord Sleeve	1	
45	TP12929	Stopper	1	
46	TP07786	O Ring P-46	1	
47	TP07774	Stripper	1	
49	TA99036	Lock Nut Ass'y	1set	
50	(TP07009)	Urethane Washer 31×40×3.1	1	

No.	Part No.	Part Name	Q'ty	Price
58	TP09458	Hex. Socket Set Screw with Cone Point 8×14	2	
59	TP09433	Pan Head Screw 4×10	3	
60	TA94434	Metal Concent Adaptor Ass'y	1set	
	(TA08712)	Metal Concent Adaptor NCS-163-AD	1	
61	TQ03526	LR Cap Screw 8×12 Special	4	
62	TP03508	Spring Washer M5	6	
63	TP12944	Slide Key 10×8×42	1	
64	TP06342	Hex. Socket Head Cap Screw 4×10	2	
65	TP14090	Pin 7×12	1	
66	TB04996	Cover Ass'y (HA07-1624)	1set	
	TB04928	Cover Ass'y (HA11-1624)	1set	
67	(TQ06571)	Label Caution	1	
68	(TQ03565)	Label Model Number (HA07-1624)	1	
	(TQ03564)	Label Model Number (HA11-1624)	1	
69	TQ03855	Oblong Washer	4	
70	CP01181	Ball 5/23	1	
71	TP05154	Drain Screw	1	
72	TP07843	Hex. Socket Set Screw with Flat Point 8×8	1	

## Accessories

No.	Part No.	Part Name	Q'ty	Price
16	TA92089	Sub Handle Ass'y	1set	
52	TA93778	Switch Cord Ass'y	1set	
53	(TP07795)	Metal Concent Plug NCS-163-PM	1	
54	(TP07794)	Cabtyre Cord Vinyl	1	
55	(TP07796)	Metal Concent Plug NCS-163-P	1	
56	TP05184	Ultra-high Pressure Hose	1	
57	CA94118	700R-3S Cap Ass'y	2set	
	TP06012	Spanner	1	
	TP01939	Hex. Socket Screw Key 4	1	
48	TJ06676	D Punch 22	1	
51	TJ06677	D Die 22	1	
	TQ06573	Instruction Manual	1	