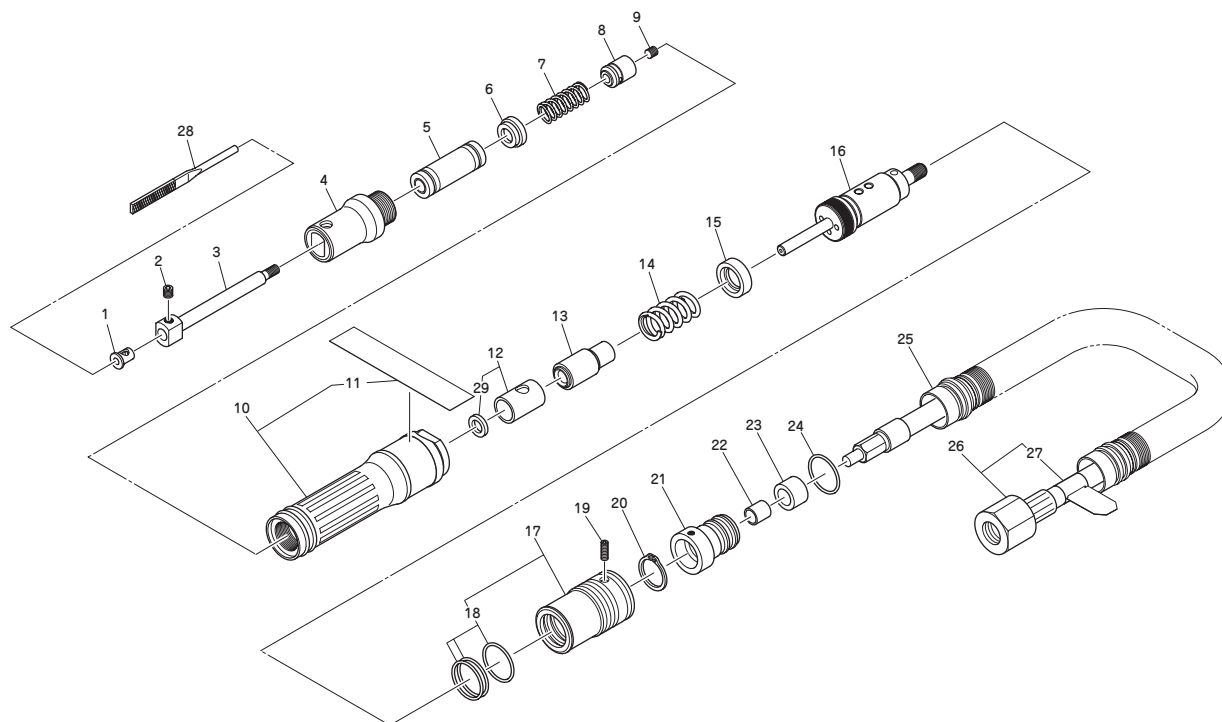


EXPLODED DIAGRAM : SHL-40**⚠ WARNING**

This diagram is for your reference only. Do not attempt to service or repair the Tool. Do not take the Tool apart. Contact an authorized Nitto dealer for all service and repair of the Tool. Improper service and repair can cause accidents and service injuries. Never attempt to modify the Tool. Never attempt service or repair the Tool.



The part numbers with () are included in the Ass'y parts written above them.

No.	Parts No.	Parts Name	Qty
1	TQ11133	Sleeve I.D. 3	1
2	TP04123	Hex. Socket Set Screw with Cup Point 4x4	1
3	TQ14037	Guide Shaft	1
4	TB09649	Guide Holder Sub Ass'y	1set
5	TQ11134	Slide Bearing	1
6	TQ14252	Spring Set Collar F	1
7	TQ11130	Spring 1x8x26	1
8	TQ11122	Piston	1
9	TP00639	Hex. Socket Set Screw with Flat Point 4x3	1
10	TB09710	Housing Ass'y	1set
11	(TQ14339)	Model Number Label	1
12	TB09646	Cylinder Ass'y	1set
29	(TQ13918)	Bushing	1
13	TB07500	Counter Weight Sub Ass'y	1set
14	TQ14253	Spring 1.3x11.2x22	1
15	TQ14038	Spring Set Collar R	1
16	TB07454	Valve Body Ass'y	1set
17	TB07455	Valve Sub Ass'y	1set

No.	Parts No.	Parts Name	Qty
18	(CP25836)	O-ring JASO-1016	3
19	TQ11158	Hex. Socket Set Screw with Cup Point 3x6	1
20	TP17226	External Retaining Ring ISTW-14	1
21	TQ11126	Hose Holder	1
22	TQ11127	Silencer Bushing	1
23	TQ11128	Silencer	1
24	CP28152	O-ring JASO-1012	1
25	TQ04367	Exhaust Hose	1
26	TB08131	Air Hose K Ass'y	1set
27	(TQ11519)	Label Lubrication	1

Accessories

No.	Parts No.	Parts Name	Qty
	TP13892	Hex. Socket Screw Key 2	1
28	—	Flat File LF-13	1
	TQ14340	Instruction Manual	1
	TQ10966	Caution for Use	1
	TP02236	Bushing R1/4 x NPT1/4	1
	TQ14341	Declaration of Conformity	1
	TQ11487	Attention for Start - up	1