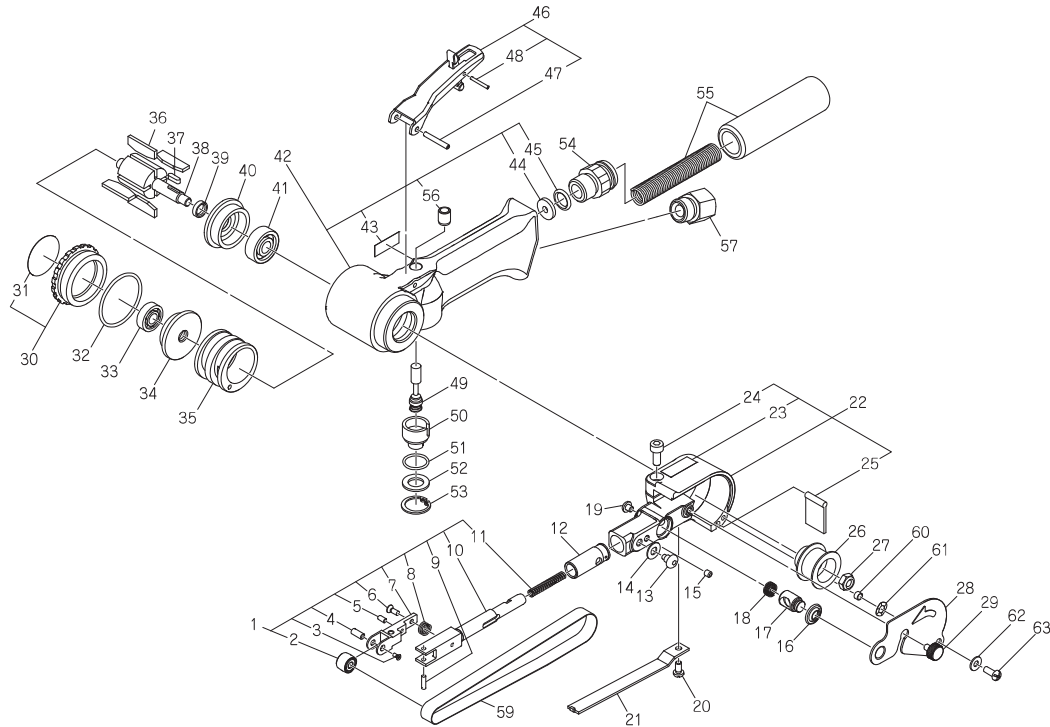


11. EXPLODED DIAGRAM: B-10CL

Warning

This diagram is for your reference only. Do not attempt to service or repair the Tool. Do not take the Tool apart. Contact an authorized Nitto dealer for all service and repair of the Tool. Improper service and repair can cause accidents and severe injuries. Never attempt to modify the Tool. Never attempt service or repair the Tool yourself.



The parts numbers with () are included in the Ass'y parts written above them.

No.	Part No.	Description	Qty	Price
1	TB09920	Bracket 10 Ass'y	1set	
2	(TA99155)	Idle Pulley 10 Sub Ass'y	1set	
3	(TP14455)	Countersunk Head Screw 2X5	1	
4	(TP12431)	Idle Pulley Shaft 10	1	
5	(TP02154)	Hex. Socket Set Screw 3X6	1	
6	(TP00155)	Countersunk Head Screw 3X8	1	
7	(TP14761)	Bracket 10	1	
8	(TP14763)	Spring 0.9X7.5X6.5	1	
9	(TP14798)	Spring Pin 3X10 AW	1	
10	(TQ14673)	Tension Bar 10	1	
11	(TQ14674)	Spring 1.0X4.1X37	1	
12	TQ14665	Guard Insert 10	1	
13	TQ14669	Key Bolt 10	1	
14	LP09810	Washer M5	1	
15	TQ15009	Hex. Socket Set Screw 4X4with Cone Point	1	
16	TQ14667	Push Button Cap 10	1	
17	TQ14666	Push Button 10	1	
18	TQ14668	Spring 0.5X8.5X7	1	
19	TV01534	Pan Head Screw 4X4	1	
20	TP04235	Pan Head Screw 4X8	1	
21	TP14769	Shoe 10	1	
22	TQ14664	Guard 10	1	
23	TP16361	Label Caution	1	
24	TP01945	Hex. Socket Head Cap Screw 5X12	1	
25	TQ10710	Dust Cover	1	
26	TP14916	Drive Pulley	1	
27	TP01924	Hex. Nut M6	1	
28	TQ14672	Belt Cover	1	
29	TQ10712	Decorative Screw	1	
60	TQ15007	Collar	1	
61	TP06576	Wave washer W-5	1	
62	TP07762	Washer M4	1	
63	TQ01526	Pan Head Screw 4X10	1	
30	TB09924	Cap Ass'y	1set	
31	(TQ14732)	Label Model B-10CL	1	
32	TP05531	O-ring S- 36	1	

No.	Part No.	Description	Qty	Price
33	TP06386	Ball Bearing 607ZZ	1	
34	TP12414	End Plate A	1	
35	TP12415	Cylinder	1	
36	TB10008	Blade Ass'y (4pcs/set)	1set	
37	TP10130	Parallel Key Both Ends Round 3X3X10	1	
38	TP12416	Rotor	1	
39	TP06322	Spacer 8X11X3	1	
40	TP12418	End Plate B	1	
41	TP12419	Ball Bearing 628ZZ	1	
42	TB09957	Housing Sub Ass'y	1set	
43	(TQ14731)	Label Warning	1	
44	(TQ14678)	Washer 4.6X14.8X2.6	1	
45	(CP01498)	O-ring P- 11	1	
46	(TQ14780)	Bushing	1	
47	TB01152	Lever Ass'y	1set	
48	(TP00460)	Spring Pin 3X22 AW	1	
49	(TP05498)	Spring Pin 2X16 AW	1	
50	TB10018	Valve Stem Ass'y	1set	
51	TP12405	Adjust Valve	1	
52	TP12407	O-ring S- 15	1	
53	TP12406	Washer 10.5X17.9X1.6	1	
54	CP00987	Internal Retaining Ring C-18	1	
55	TP10005	Bushing PF 3/8	1	
56	TA96323	Silencer Sub Ass'y	1set	
57	TP00857	Bushing M16XPT1/4	1	
58	-	Abrasive Belt #60x10	1	

Accessories

No.	Part No.	Description	Qty	Price
	TP02236	Bushing PT1/4xNPT1/4	1	
	TP14797	Hex. Socket Screw Key 1.5	1	
	TP01939	Hex. Socket Screw Key 4	1	
58	-	Abrasive Belt #60x10	1	
	-	Abrasive Belt #80x10	1	
	-	Abrasive Belt #100x10	1	
	-	Abrasive Belt #120x10	1	
	TQ14733	Instruction Manual	1	