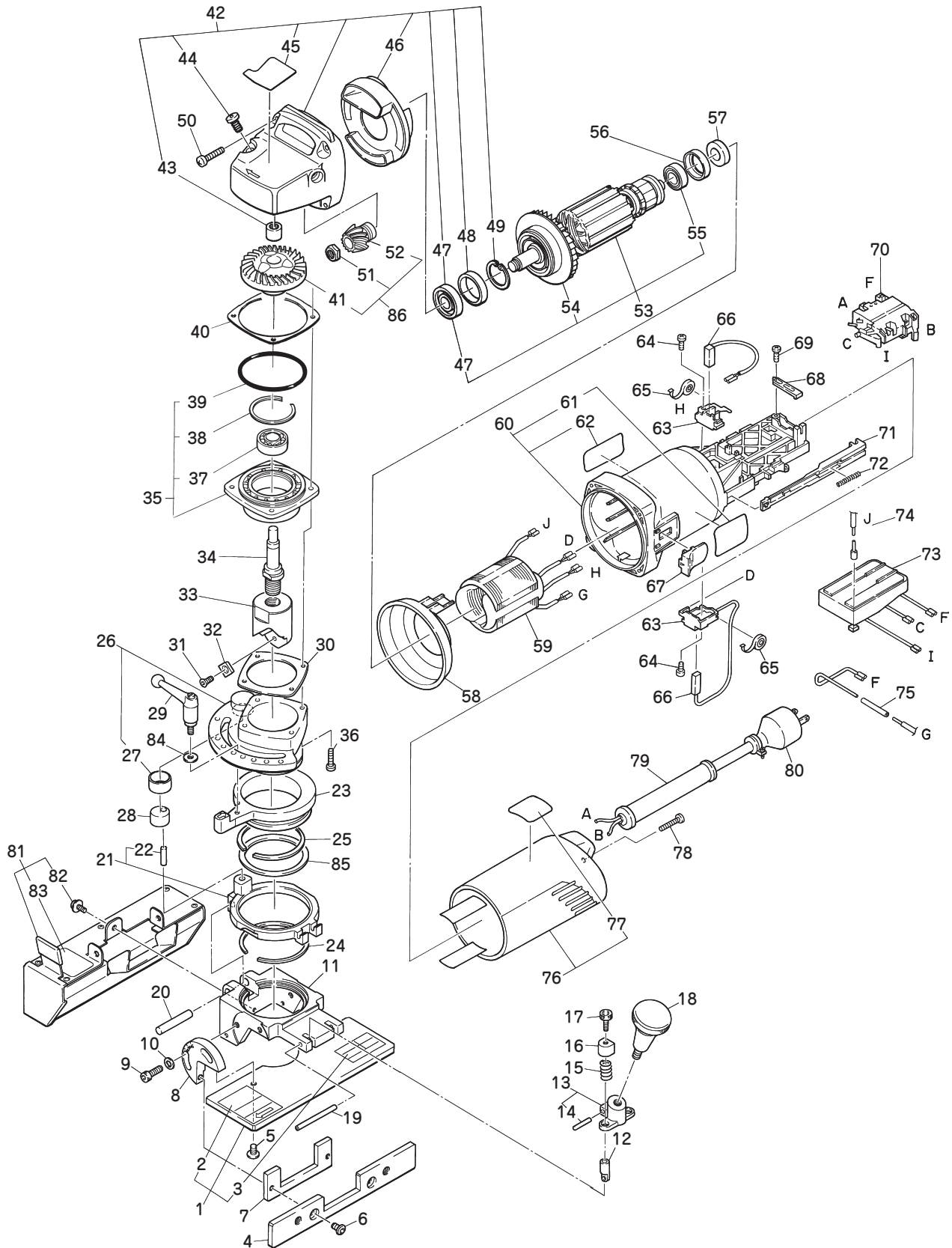


Exploded diagram/parts list are subject to change at any time without notice. (As of May, 2016)

**EXPLODED DIAGRAM : EMB-0307B**

**⚠ WARNING**

This diagram is for your reference only. Do not attempt to service or repair the Tool. Do not take the Tool apart. Contact an authorized Nitto dealer for all service and repair of the Tool. Improper service and repair can cause accidents and severe injuries. Never attempt to modify the Tool. Never attempt service or repair the Tool yourself.



TQ12820-5

The part numbers with ( ) are included in the Ass'y parts written above them.

No.	Part No.	Description	Qty	Price
1	TB02632	Plate C Ass'y	1set	
2	(TP16975)	Label A (Caution)	1	
3	(TQ01684)	Label B (Chamfering level)	1	
4	TQ03415	Plate D	1	
5	TQ00211	Hex. Socket Head Screw 5×8	2	
6	TQ00214	Hex. Socket Head Screw 5×12	2	
7	TQ04308	Plate Supporter	1	
8	TP18065	Plate Guide	2	
9	TP02862	Hex. Socket Head Cap Screw 5×15	4	
10	TP02152	Plain Washer M5	4	
11	TQ04301	Head	1	
12	TQ04305	Shaft	2	
13	TB03291	Lock Block A Ass'y	1set	
14	(TQ04306)	Parallel pin A4×25	1	
15	TQ10807	Spring 1.1×10.5×15	2	
16	TQ04303	Cover	2	
17	TP00021	Hex. Socket Head Cap Screw 5×10	2	
18	TA93017	Knob Ass'y	1set	
19	TQ04534	Spring Pin 5×50 AW	1	
20	TQ04300	Parallel Pin A8×35	1	
21	TB03290	Lock Plate Ass'y	1set	
22	TQ04298	Parallel Pin A6×20	1	
23	TQ04296	Eccentric Ring	1	
24	TQ04310	Concentric Snap Ring WR-65	1	
25	TP18056	Concentric Snap Ring WR-52	1	
26	TB03392	Adapter Ass'y	1set	
27	(TQ04442)	Bushing LFB-1810	1	
28	TQ04297	Eccentric Top	1	
29	TQ04294	Clamp Lever KR5×15	1	
30	TQ04328 TQ04329 TQ04330 TQ04331 TQ04332	Spacer t0.05 (for adjustment) Spacer t0.1 (for adjustment) Spacer t0.2 (for adjustment) Spacer t0.3 (for adjustment) Spacer t0.5 (for adjustment)		
31	TQ01629	Indexable Insert Set Screw 4×7	1	
32	TB01159	Indexable Insert with Hole 12.7 (10pcs. / Set)	1set	
33	TQ03412	Holder	1	
34	TQ03795	Spindle	1	
35	TB08179	Bearing Case Ass'y F	1set	
36	(TQ10600)	Hex. Socket Head Cap Screw 4×18	4	
37	(TP16791)	Ball Bearing 6201LU / 2A	1	
38	(TQ11713)	Concentric Snap Ring IRTW-32	1	
39	(TQ01578)	O-ring 46×48×1	1	
40	TQ03822 TQ03823 TQ03824 TQ03825	Spacer For Bearing Case 0.1mm Spacer For Bearing Case 0.15mm Spacer For Bearing Case 0.2mm Spacer For Bearing Case 0.3mm		
42	TB08180	Gear Case Ass'y D	1set	
43	(TP16788)	Needle Bearing HK0808	1	
44	(TB07982)	Lock Button Ass'y	1set	
45	(TQ03840)	Label Caution	1	
46	(TQ04210)	Air Deflector Ring	1	
47	(TQ13682)	Ball Bearing 608LLB	1	
48	(TP16785)	Gum Ring A	1	

No.	Part No.	Description	Qty	Price
49	(TQ04214)	Retaining Ring	1	
50	TQ12612	Pan Head Tapping Screw 4×25	4	
53	TB07984	Armature Ass'y 230V	1set	
54	(TQ04200)	Fan	1	
55	(TP06386)	Ball Bearing 607ZZ	1	
56	TQ11753	Protective Cover	1	
57	TQ11752	Magnet	1	
58	TQ04209	Fan Guide	1	
59	TQ11774	Stator 230V	1	
60	TB08181	Motor Case Ass'y 230V	1set	
61	(TQ12817)	Label Model Number	1	
62	(TQ12818)	Label Warning	1	
63	TQ11746	Brush Holder	2	
64	TQ04216	Pan Head Tapping Screw 2.9×9.5	2	
65	TQ11782	Brush Spring	1	
66	TB03219	Carbon Brush Ass'y	1set	
67	TP16803	Switch Button	1	
68	TP16772	Cord Clamp	1	
69	TQ11761	Pan Head Tapping Screw 3.9×13	1	
70	TQ11733	Switch	1	
71	TQ04206	Slider	1	
72	TP16804	Spring 0.5×45×29	1	
73	TQ11735	Governor 230V	1	
74	TQ11740	Insulation Sleeve	1	
75	TQ11742	Connecting Cable	1	
76	TB08089	Motor Cover Ass'y	1set	
77	(TQ03819)	Label Electronic	1	
78	TQ04217	Pan Head Tapping Screw 3.9×19	1	
79	TQ11766	Cord Armor 230V	1	
80	TQ11734	Cabtyre Cord	1	
81	TB08750	Dust Box Ass'y	1set	
82	(TQ04475)	Pan Head Screw 5×10	3	
83	(TQ12819)	Label Caution Dust Box	1	
84	TQ04642	Plain Washer M5 12×5.5×0.8	1	
85	TQ04775 TQ04776 TQ04777	Spacer t0.1 (for Lock Plate) Spacer t0.2 (for Lock Plate) Spacer t0.05 (for Lock Plate)		
86	TB08530	Gear Ass'y	1set	
41	(TQ12502)	Gear 1.25×41	1	
52	(TQ12503)	Pinion 1.25×12	1	
51	(TQ12944)	Pinion Nut	1	

#### Accessories

No.	Part No.	Description	Qty	Price
		Indexable Insert with Hole 12.7	1	
	TQ01629	Indexable Insert Set Screw 4×7	1	
	TB03219	Carbon Brush Ass'y	1set	
	TP01939	Hex. Socket Screw Key 4	1	
	TQ01683	Spanner T-15D	1	
	TP08584	Hex. Nut M8	2	
	TP17133	Hex. Socket Set Screw 8×25	2	
	TQ12820	Instruction Manual	1	
	TQ12821	Declaration of Conformity	1	